



Scan this QR code to
download our product
catalogue

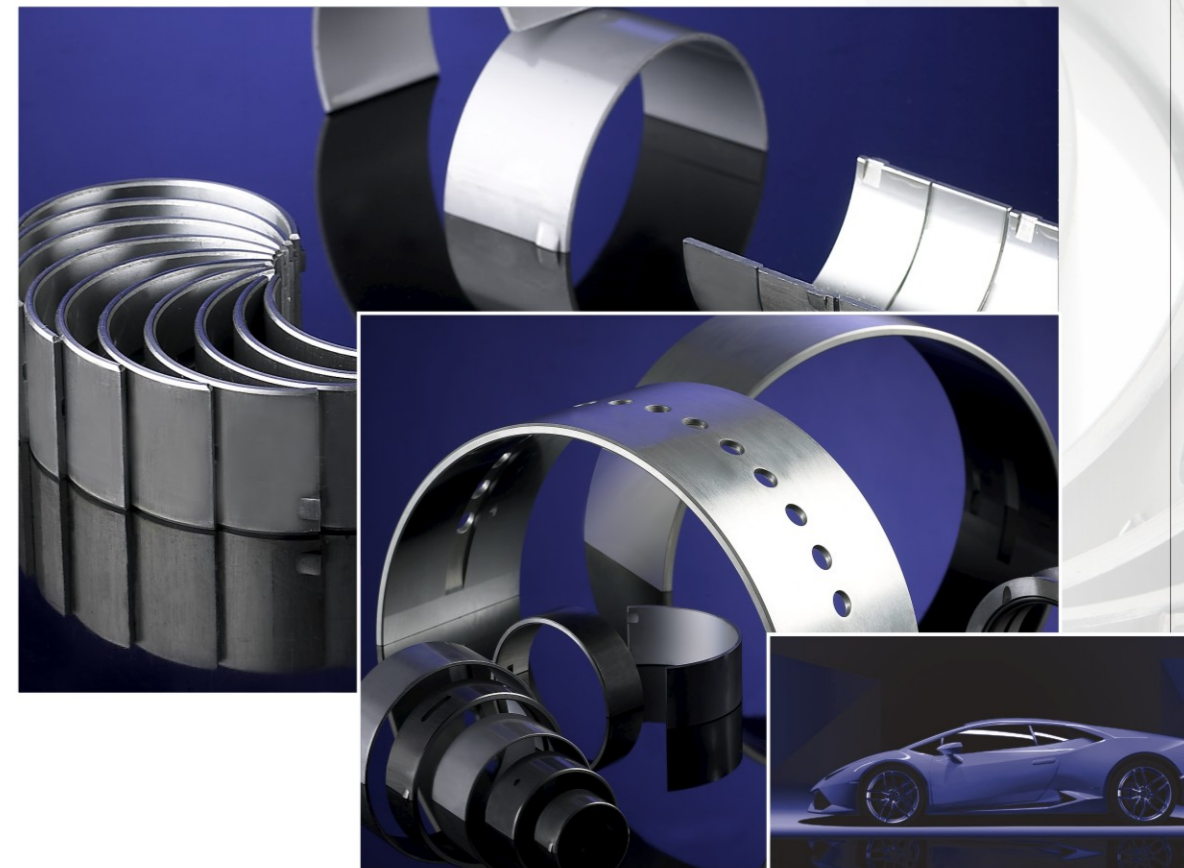
浙江显峰汽车配件有限公司
MASTER PARTS SUPPLY(ZHEJIANG)CO.,LTD.

温州华康汽车配件有限公司
WENZHOU HUAKANG AUTOMOBILE PARTS CO.,LTD.

地址：中国浙江温州市平阳县昆阳镇平塔显峰工业园
Add:Xianfeng Industrial Park,Kunyang Town,Pingyang County,
Wenzhou City,Zhejiang China
P.C:325400
Tel:+86-577-63792808 63790656 63791808 63790655
Fax:+86-577-63790889
E-mail:info@masterpartssupply.com
Http://www.masterpartssupply.com

□ 版面有限，本手册仅介绍了华康汽车配件有限公司的部分产品，其它产品未能详尽列出，敬请谅解。
□ 如需详尽的了解华康汽车配件有限公司的产品，敬请访问华康汽车配件有限公司网站或来电咨询。

© 显峰集团 (XIANFENG) 版权所有
© 华康企业 (HUAKANG) 版权所有



Scan this QR code to
download our product
catalogue



浙江显峰汽车配件有限公司
MASTER PARTS SUPPLY(ZHEJIANG)CO.,LTD.



温州华康汽车配件有限公司
WENZHOU HUAKANG AUTOMOBILE PARTS CO.,LTD.

The information on this catalogue are not completed due to limited space. Please contact us for more detail.



企业简介

浙江显峰汽车配件有限公司是一家与台商合资企业，华康轴瓦是其中一个事业部，具有35年专业制造汽车轴瓦的历史，是中国内燃机工业协会和汽车工业协会轴瓦分会理事单位。获AAA级银行授信和市信用优良企业称号，在连续多年通过ISO9001质量体系认证的基础上，又于2008年通过TS16949质量体系认证。

公司遵循“以人为本，求真务实”的发展理念，拥有包括国内轴瓦行业知名专家在内的各类专业技术人才，被聘为中国滑动轴承标准化技术委员会顾问委员单位，雄厚的技术实力不仅为本公司的发展奠定了坚实基础，还为ISO7146、ISO3548-2、ISO3548-3等滑动轴承专业国际标准和多项国家标准的制订作出了重要贡献。

公司始终将技术创新、质量升级作为自身的不懈追求。在加工方面，拥有包括多台高精度平面拉床、内圆拉床、内孔拉床和各种半自动机床在内的多条轴瓦加工生产线和自动三元电镀线；在质量控制方面，拥有完备的材料化学成分检验、硬度检验和金相分析等精密仪器和精度万全符合ISO12301、ISO12306及ISO6524国际标准规定的轴瓦壁厚检验和自动分选仪以及多台A法及B法周长测量仪，使产品质量达到国际水平。生产有MERCEDES-BENZ、FIAT、IVECO、CATERPILLAR、TOYOTA、NISSAN、ISUZU等多种车型轴瓦，部分反边轴瓦专为国外配套。年产量达3000万片，畅销欧洲、南美、北美、中东等30多个国家和地区。美国EM公司总裁曾专程来我公司授“优质产品供应商”奖牌。

近年来，公司还自主研发了在技术上居国内领先水平的Φ200-Φ400大型轴瓦生产线，产品用于缸径Φ200-Φ400的火车、船舶、电站等大功率柴油发动机，成为广州、淄博等多家柴油机厂的多项系列配套，部分已成功替代进口产品。

公司奉行“共同成长、互惠双赢”的经营战略，紧紧把握市场动态，坚持为客户提供卓越产品和优质服务，竭力为振兴民族汽车工业、打造中国乃至世界优秀轴瓦供应品牌而奋斗不息！

热忱欢迎国内外新老客户惠顾！



About Us

Master Parts Supply(Zhejiang)Co.,Ltd.is a TAIWAN joint venture,Wenzhou Huakang Automobile Parts Co.,Ltd. is one of the business divisions. HuaKang,with 35 years history of manufacturing engine bearings, is the member of internal-combustion engine Association & engine bearing branch of Auto industrial Association of China. It has won the AAA-Level credit of the bank and the excellent enterprise of the city. On the basis of passing ISO9001 Quality Certification for many years, Huakang got Ts16949 Quality Certification in 2008 year.

Complying with the development principle of “People-oriented, looking for the truth and to be practical”, HuaKang has many professional technical talents including well-known engine bearing experts of China and is employed as the consultant member of standard technical committee of Chinese sliding bearing. The strong technical back ground not only lays a solid foundation for Huakang's development, and also makes an important contribution for drawing up the international standards of sliding bearings such as ISO7146、ISO3548-2、ISO3548-3 ETC. and other national standards.

We always take technical innovation and quality upgrading as our unremitting pursuit. We have more high-precision broaching machines and an automatic three-element electroplating production line. For quality control, We have precise instruments for inspection of material composition、hardness and metallographic analysis, as well as more measuring equipments and testing machines for bearing thickness, the precision is exactly according to the international standards of ISO12301、ISO12306 & ISO6521, all above can guarantee our products as the international level. We produce for many kinds of applications, such as MERCEDES-BENZ、FIAT、IVECO、CATERPILLAR、TOYOTA、NISSAN、ISUZU etc.,we are the exclusive supplier of flange bearings for a well-known factory in Turkey.With an annual output of 30 millions pieces,our products are exported to more than 30 countries & regions in Europe、South America、North America、Middle East and so on.For all of the above achievements,the president of EM company in USA specially came to our company and awarded us “QUALITY VENDOR AWARD”.

In recent years,our company has independently developed a production line for large bearings with a diameter of Φ200-Φ400mm, the bearings are used for the high-power diesel engine such as the trains、ships & power station.We have been the OEM supplier of Guangzhou diesel engine factory and Zibo diesel engine factory,some bearings we supply to them have replaced the imported products.

“Grow up together with customers,get mutual benefit and win-win” is our company's management strategy. We pay close attention to the market trend and insist on supplying good quality and best service for our customers.We will do our utmost to be the outstanding engine bearing supplier in China and the world.

Warmly welcome the new and old customers to visit us from all over the world!

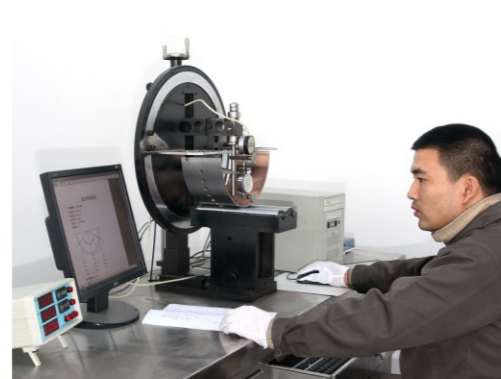
企业实力 EQUIPMENT



企业研发 R&D



自动壁厚分选仪
Automatic thickness sorting machine



大瓦壁厚测量仪
Wall thickness measure machine



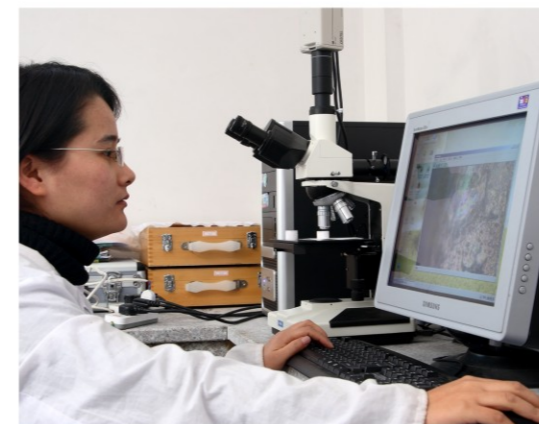
双面加载高度测量仪
B method crush high measure machine



自动壁厚分选仪
Automatic thickness sorting machine



自动电镀线
Automatic electroplating production line



经验 / 高科技 / 服务 Know-how / High-tech / Service

我们希望通过我们完善的设计，
研发和售后服务确保每一个产品在有效使用期内
充分发挥各项设计性能指标。
运用崭新的管理概念及强大的专业技术力量，
生产出符合国际标准的高品质终极产品。

We wish our excellent manufacture craft,
R&D and after sale service can assure every piece of products can fully
perform their designed character in the using period,
ensure safe drive of automobile.
Carry on new management concept and with strong professional technology,
manufacture high quality products accord with international standard.

一流设备 / 一流品质 Top Quality / Fine Equipments

一流的企业硬件设施，一流的专家研发队伍，高素质的员工团队。
Owned the first-grade checking facility, Owned the first-rate expert engineer,
Experienced workers team sprit staffs.

[Http://www.masterpartssupply.com](http://www.masterpartssupply.com)



企业理念 IDEOLOGY

Sincerity, quality-oriented,
is the enterprise spirit of what
MASTER PARTS remains
and never going to change.

Innovation, creative
is the pursuing aim of MASTER
PARTS people will insist on to
tomorrow.



**务实重质，
显峰始终不变的企业精神。**

**求变创新，
显峰以一贯之的企业追求。**

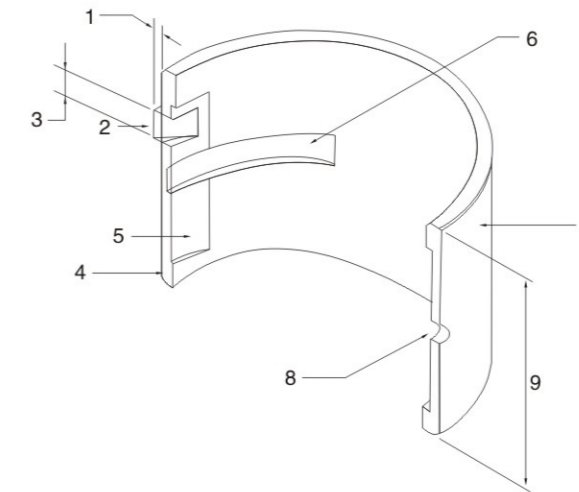
创业31年、已全面搭建全球本土化框架的显峰，正进入一个崭新的战略发展阶段——全球化品牌战略阶段。面对着全球化竞争的新方向，显峰将开始企业精神和工作作风的新一轮升级创新。

Carve out for 31 years, Master parts have finished the construction of distribution channel of the whole world, now stepping into a span-new strategic developing moment——brand globalization. Faced with the new orientation of global competition, Master parts going to start a new round of upgrade and innovation of the enterprise spirit and work style.

[Http://www.masterpartssupply.com](http://www.masterpartssupply.com)



Bearing Nomenclature

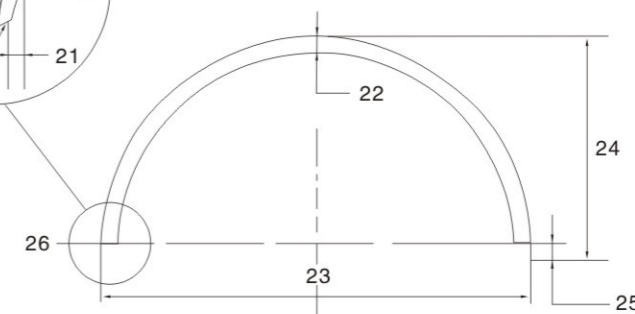
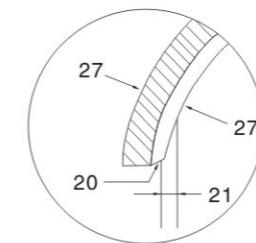
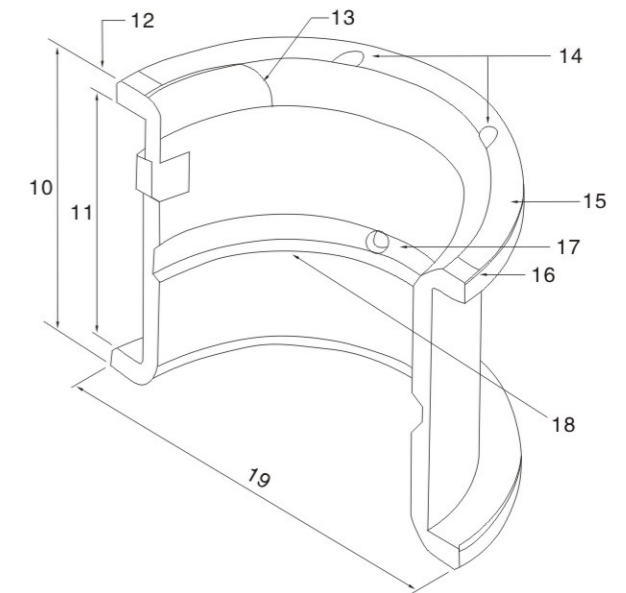


Rod And Main Bearings

- 1.Lug projection
- 2.Lug
- 3.Lug Width
- 4.Parting Line
- 5.Spreader Groove
- 6.Partial Annular Groove
- 7.Back
- 8.Squirt Hole
- 9.Length

Flange(F)Bearings

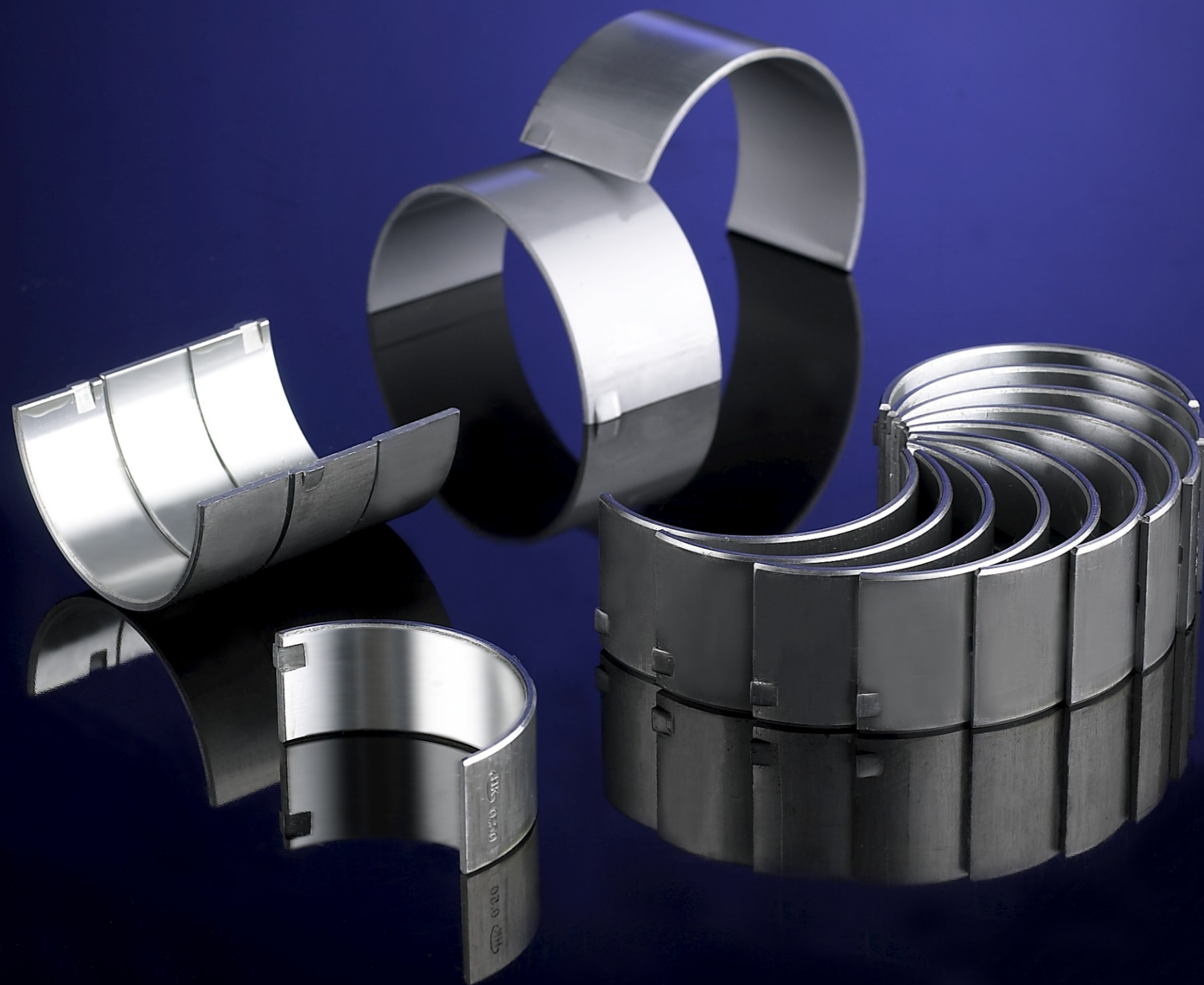
- 10.Overall Length
- 11.Length Between Flanges
- 12.Flange Thickness
- 13.Flange Counterbore
- 14.Thrust Face Oil Pockets
- 15.Thrust Face
- 16.Flange Face Relief
- 17.Oil Hole
- 18.Annular Oil Groove
- 19.Flange Diameter



- 20.Parting Line Chamfer
- 21.Parting Line Relief
- 22.Wall Thickness
- 23.Free Spread Diameter
- 24.Parting Line Height
- 25.Cruch
- 26.Split Centerline
- 27.Eccentric Thickness

MASTER PARTS
SUPPLY(ZHEJIANG)CO.,LTD.

WENZHOU HUAKANG
AUTOMOBILE PARTS CO.,LTD.



CONTENT 目录

11	BED FORD 贝得 福特	24	MAN 曼
12	BMW 宝马	25	MAZDA 马自达
13	CATERPILLAR 卡特	25	MERCEDES-BENZ 奔驰
13	CITROEN 雪铁龙	27	mitsubishi 三菱
14	CUMMINS 康明斯	28	NISSAN 尼桑
14	DAEWOO 大宇	30	NISSAN DIESEL 尼桑柴油机
14	DAIHATSU 大发	30	OPEL 欧宝
15	DAF 大福	31	PERKINS 帕金斯
15	FIAT(IVECO) 菲亚特 依维柯	31	PEUGEOT 标致
17	GM	32	RENAULT 雷诺
17	HILLMAN 高山人	33	ROVER 路虎
17	HONDA 本田	34	RVI
19	HYUNDAI 现代	34	SCANIA 斯堪尼亚
19	HINO 日野	35	SUZUKI 铃木
20	I.H.C	35	TOYOTA 丰田
20	ISUZU 五十铃	37	KIA 起亚
21	JOHN DEERE	38	VOLVO 沃尔沃
21	KHD 道依茨	39	VOLKSWAGEN 大众
22	KUBOTA 久保田	39	YANMAR 洋马
23	KOMATSU 小松	40	TENSIONER 涨紧轮
23	LADA 拉达	41	CAM BUSH 衬套
24	LEYLAND 利兰	41	THRUST WASHER 止推片
24	LISTER		



[Http://www.masterpartssupply.com](http://www.masterpartssupply.com)

BED FORD 贝得 福特

HK No.	Eng No.	Product No.	Article	Pcs.	Price
BF211HK-1		M7228SA	Main	14	
BF211HK-2		M6387SA	C/R	12	
BF212HK-1		M7305SA	Main	14	
BF212HK-2		B6473SA	C/R	12	
BF213HK-1		M7305SA	Main	14	
BF213HK-2		B6289SA	C/R	12	
BF214HK-1		VPM279	Main	8	
BF214HK-2		VPR278	C/R	12	
BF215HK-1		VPM91133A	Main	14	
BF215HK-2		VPR91132A	C/R	12	
BF216HK-1		M5280SA	Main	10	
BF216HK-2		B4509SA	C/R	8	
BF217HK-1		MB5374	Main	10	
BF217HK-2		CR4151AM	C/R	8	
BF218HK-1		M5224	Main	10	
BF218HK-2		B4449	C/R	8	
BF219HK-1		M5288	Main	10	
BF219HK-2		B4805	C/R	8	
BF220HK-1		M5378	Main	10	
BF220HK-2		B4324SA	C/R	8	
BF221HK-1		VPM743	Main	10	
BF221HK-2		VPR742	C/R	8	
BF222HK-1		M710111	Main	14	
BF222HK-2		B610079	C/R	12	
BF223HK-1		M92521	Main	14	
BF223HK-2		B92350	C/R	12	
BF224HK-1		M4224	Main	8	
BF224HK-2		B4355	C/R	8	
BF225HK-1		M5195	Main	10	
BF226HK-2		B6420	C/R	12	
BF227HK-1		M5377	Main	10	
BF227HK-2		B4902	C/R	8	
BF228HK-1		M7255	Main	14	
BF228HK-2		B6409	C/R	12	
BF229HK-1		M7305	Main	14	
BF229HK-2		B6289SA	C/R	12	
BF230HK-1		M5593	Main	10	

BED FORD 贝得 福特

HK No.	Eng No.	Product No.	Article	Pcs.	Price
BF230HK-2		B4780	C/R	8	
BF231HK-1		M3323	Main	6	
BF231HK-2		B4503	C/R	8	
BF232HK-1		M5380SA	Main	8	
BF232HK-2		B4679SA	C/R	8	
BF233HK-1		M5445SA	Main	10	
BF233HK-2		B4496SA	C/R	10	
BF234HK-1		M5256SA	Main	10	
BF234HK-2		B4599SA	C/R	8	
BF235HK-1		M5358LC	Main	10	
BF235HK-2		B4580LC	C/R	8	
BF236HK-1		M7337SA	Main	14	
BF236HK-2		B6546LC	C/R	12	
BF237HK-1		M4218SA	Main	8	
BF237HK-2		B3047SA	C/R	6	
BF238HK-1		MS-1743P	Main	10	
BF238HK-2		VPR91532	C/R	8	
BF239HK-1		MS-2208P	Main	10	
BF239HK-2		CB-1774P	C/R	8	
BF240HK-1		4953M	Main	14	
BF240HK-2		VPR871	C/R	12	
BF241HK-1		VPM91529	Main	10	
BF241HK-2		VPR91532	C/R	8	
BF242HK-1		VPM91272	Main	10	

BMW 宝马

HK No.	Eng No.	Product No.	Article	Pcs.	Price
BM231HK-1	320/520A	H948/07	Main	14	
BM231HK-2	320/520A	71-3419/6	C/R	12	
BM232HK-1	315/320/520	H629/5	Main	10	
BM232HK-2	315/320/520	71-2182/4	C/R	8	
BM233HK-1	316/318	H 007/5	Main	10	
BM233HK-2	316/318	71-3419/4	C/R	8	
BM234HK-1	M 47 D20	H 080/5	Main	10	



Http://www.masterpartssupply.com

CATERPILLAR 卡特

HK No.	Eng No.	Product No.	Article	Pcs.	Price
CT251HK-1	D342	MS-1048P	Main	14	
CT251HK-2	D342	CB954AL	C/R	12	
CT252HK-1	D330	MS-1113AL	Main	10	
CT252HK-2	D330	CB-619AL	C/R	8	
CT253HK-1		1342	Main	4	
CT253HK-2		1341	C/R	2	
CT254HK-1	D5,D6B	7S9843	Main	14	
CT254HK-2	D5,D6B	8N8220	C/R	12	
CT255HK-1	3406,3406 B	4W5492	Main	14	
CT255HK-2	3406,3406 B	9Y9497	C/R	12	
CT256HK-1	D4 D6	M9290	Main	8	

CITROEN 雪铁龙

HK No.	Eng No.	Product No.	Article	Pcs.	Price
CR271HK-1	XY150A-D.XY7	VPM91851A	Main	10	
CR271HK-11	XY150A-D.XY7	VPM95133A	Main	10	
CR271HK-2	XY150A-D.XY7	VPR91850A	C/R	8	
CR272HK-1	XU93/2C/J2	VPM92255A	Main	10	
CR272HK-2	XU93/2C/J2	VPR92256A	C/R	8	
CR273HK-1	56/J6 T.A.500	VPM91932A	Main	10	
CR273HK-2	56/J6 T.A.500	VPR91916A	C/R	8	
CR274HK-1	E1A/10AE11	VPM91355	Main	10	
CR274HK-2	E1A/10AE11	VPR91302A	C/R	8	
CR275HK-1	XU5/S/171,1C/2C	VPM92255	Main	10	
CR275HK-2	XU5/S/171,1C/2C	VPR92433	C/R	8	
CR276HK-1	TU5 JP4	VPM93024A	Main	10	
CR276HK-2	TU5 JP4	VPR93025A	C/R	8	
CR277HK-1	XUD 7TE	VPM92001A	Main	10	
CR277HK-2	XUD 7TE	VPR92568LC	C/R	8	
CR278HK-1	XM7/P/T/169 XMT	VPM92434A	Main	10	
CR278HK-2	XM7/P/T/169 XMT	VPR847A	C/R	8	
CR279HK-1	829/J6R	M5418SA	Main	10	
CR279HK-2	829/J6R	B4627SA	C/R	8	

CUMMINS 康明斯

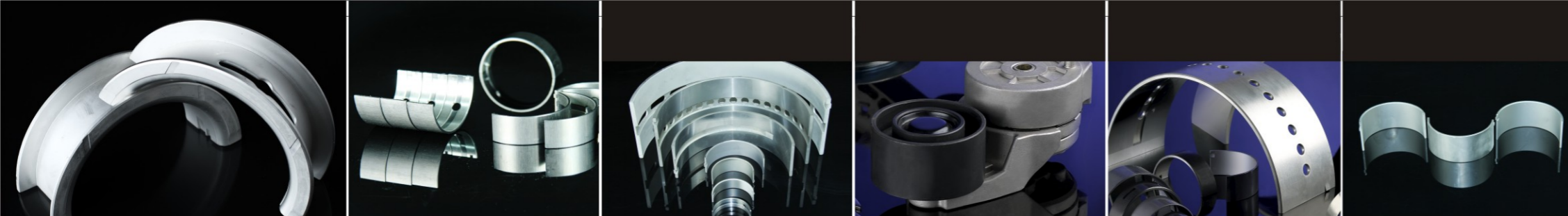
HK No.	Eng No.	Product No.	Article	Pcs.	Price
CM291HK-1	Nt855	H052/7	Main	14	
CM291HK-2	NT855	71-3784/6	C/R	12	
CM292HK-1	KT6/1KT450	H047/7	Main	14	
CM292HK-2	KT6/1KT450	71-3757/6	C/R	12	
CM293HK-1	6BT	MS-1717P	Main	14	
CM293HK-2	6BT	CB-1413P	C/R	12	
CM294HK-1	6CT	MS-1740P	Main	14	
CM294HK-2	6CT	CB-1409P	C/R	12	

DAEWOO 大宇

HK No.	Eng No.	Product No.	Article	Pcs.	Price
DW311HK-1	LEMANS		Main	10	
DW311HK-2	LEMANS		C/R	8	
DW312HK-1	TICO		Main	8	
DW312HK-2	TICO		C/R	6	
DW313HK-1	TOWNER		Main	8	
DW313HK-2	TOWNER		C/R	6	
DW314HK-1	PRINS2.0		Main	10	
DW314HK-2	PRINS2.0		C/R	8	
DW315HK-1		BC-172-J	Main	10	
DW315HK-2		BB-163-J	C/R	8	

DAIHATSU 大发

HK No.	Eng No.	Product No.	Article	Pcs.	Price
DH331HK-1	CB10.12.13	M256A	Main	8	
DH331HK-2	CB10.12.13	R256A	C/R	6	
DH332HK-1	DG.DL	M276A	Main	10	
DH332HK-11	DL	M282A	Main	10	
DH332HK-2	DG.DL	R276A	C/R	8	
DH333HK-1	EB10.20.40	M279A	Main	8	
DH333HK-2	EB10.20.40	R279A	C/R	6	
DH334HK-1	HC.HD	M283A	Main	10	
DH334HK-2	HC.HD	R283A	C/R	8	
DH335HK-1	ED,EJ	M284A	Main	8	
DH335HK-2	ED,EJ	R284A	C/R	6	


[Http://www.masterpartssupply.com](http://www.masterpartssupply.com)

DAF 大福

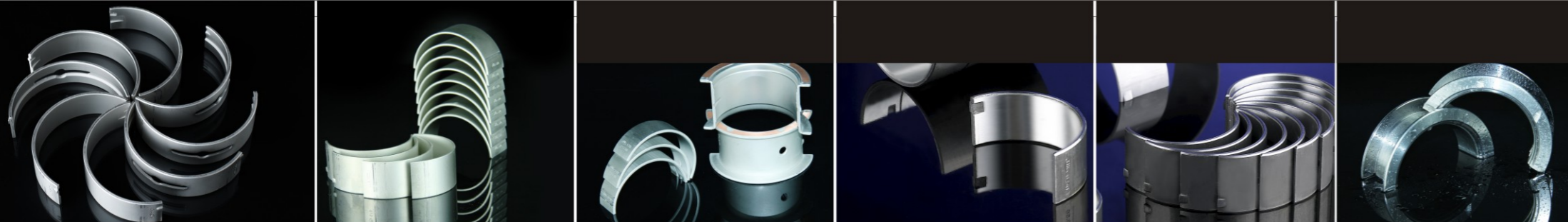
HK No.	Eng No.	Product No.	Article	Pcs.	Price
DF351HK-1	DAF2100,2300	VPM91501LC	Main	14	
DF351HK-2	DAF2100,2300	VPR91500LC	C/R	12	
DF352HK-1	DAF2800	VPM91780	Main	14	
DF352HK-2	DAF2800	VPR91779	C/R	12	
DF353HK-1	DAF2800	H022/7	Main	14	
DF353HK-2	DAF2800	71-3291/6	C/R	12	
DF354HK-1	XF355	H005-7	Main	14	
DF354HK-2	XF355	71-3866/6	C/R	12	
DF355HK-1	DAF1600	VPM380	Main	14	
DF355HK-2	DAF1600	VPR379	C/R	12	
DF356HK-1	DAF3600	VPM92533	Main	14	
DF356HK-2	DAF3600	VPR92532	C/R	12	
DF357HK-1		M7489LB	Main	14	
DF357HK-2		B6666LB	C/R	12	
DF358HK-1	DAF95	VPM92533	Main	14	
DF358HK-2	DAF95	VPR92531	C/R	12	
DF359HK-1		VPM1900	Main	14	
DF359HK-2		VPR1900	C/R	12	
DF360HK-2	75ATI	71-3794	C/R	12	
DF361HK-2		71-4785	C/R	12	
DF362HK-2		71-3631/07	C/R	12	
DF363HK-1		M92817	Main	14	
DF364HK-1	75ATI	H054/7	Main	14	
DF364HK-2	75ATI	71-3794/6	C/R	12	
DF365HK-1	75CF	H054/7	Main	14	
DF365HK-2	75CF	71-3914/6	C/R	12	

FIAT (IVECO) 菲亚特 依维柯

HK No.	Eng No.	Product No.	Article	Pcs.	Price
FT411HK-1	203A/61-203H/61	VPM355	Main	14	
FT411HK-2	203A/61-203H/61	VPR91168	C/R	12	
FT412HK-1	8210.02/12/22	VPM91741	Main	14	
FT412HK-2	8210.02/12/22	VPR91740	C/R	12	
FT413HK-1	8260.02	VPM91980	Main	10	
FT413HK-2	8260.02	VPR91972	C/R	16	
FT414HK-1	8260.02	VPM91987	Main	10	

FIAT (IVECO) 菲亚特 依维柯

HK No.	Eng No.	Product No.	Article	Pcs.	Price
FT414HK-2	8260.02	VPR91983	C/R	16	
FT415HK-1	8040.01	VPM91810	Main	10	
FT415HK-2	8040.02	VPR91809	C/R	8	
FT416HK-1	8040.05	VPM91976	Main	10	
FT416HK-2	8040.06	VPR91975	C/R	8	
FT417HK-1	C03/020/021/41	VPM91408	Main	10	
FT417HK-2	C03/020/021/41	VPR91989	C/R	8	
FT418HK-1	8360.04	VPM91859	Main	14	
FT418HK-2	8360.04	VPR91974	C/R	12	
FT419HK-1	8460.41	VPM92345	Main	14	
FT419HK-2	8460.41	VPR92346	C/R	12	
FT420HK-1	8140.61	VPM91664	Main	10	
FT420HK-2	8140.61	VPR91914	C/R	8	
FT421HK-1	IVECO	F66631CP	Main	10	
FT421HK-2	IVECO	F66630CP	C/R	8	
FT422HK-1	IVECO	VPM92890	Main	10	
FT422HK-2	IVECO	VPR91914	C/R	8	
FT423HK-1	138A1/A3/149A3	VPM91220A	Main	10	
FT423HK-2	138A1/A3/149A3	VPR91219A	C/R	8	
FT424HK-1	131A1/AF1/B1	VPM91662A	Main	10	
FT424HK-2	131A1/AF1/B1	VPR91572A	C/R	8	
FT425HK-1		VPM92122	Main	14	
FT425HK-2		VPR92121	C/R	12	
FT426HK-1		M92831	Main	12	
FT426HK-2		B92826	C/R	10	
FT427HK-1		M92191A	Main	10	
FT427HK-2		M92190A	C/R	8	
FT428HK-1	F3BE 0681C/E/A	H1023/7	Main	14	
FT428HK-2	F3BE 0681C/E/A	71-4095/6	C/R	12	
FT429HK-1		VPM92817	Main	14	
FT429HK-2		VPR92818	C/R	12	
FT430HK-1	131A/B2	VPM91662A	Main	10	
FT430HK-2	131A/B2	VPR91522A	C/R	8	
FT431HK-1	PALIO1.2/PUNTO1.4	AN5281SA	Main	10	
FT431HK-2	PALIO1.2/PUNTO1.4	KL4336SA	C/R	8	


[Http://www.masterpartssupply.com](http://www.masterpartssupply.com)

GM

HK No.	Eng No.	Product No.	Article	Pcs.	Price
GM211HK-1		4400M	Main		
GM211HK-2		8-3190	C/R		
GM212HK-1		4926M	Main		
GM213HK-1		7047MA	Main		
GM214HK-1		5085M	Main		
GM214HK-2		6-3750	C/R		
GM215HK-1		4124M	Main		
GM216HK-1		4663M	Main		
GM216HK-2		8-2555	C/R		
GM217HK-2		6-1020	C/R		
GM218HK-1		FM4512	Main		
GM219HK-1		7321M	Main		
GM219HK-2		BB-365-J	C/R		
GM220HK-1		BC-272-J	Main		
GM221HK-1		7288M	Main		
GM222HK-1		5060M	Main		
GM223HK-2		4-3665	C/R		
GM224HK-2		MB-3765CP	C/R		
GM225HK-1		7218M	Main		
GM225HK-2		4-4210	C/R		
GM226HK-1		MS1812P	Main		

HILLMAN 高山人

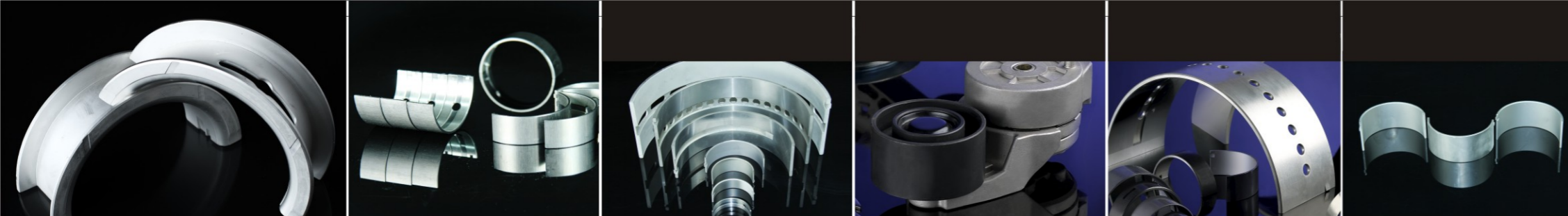
HK No.	Eng No.	Product No.	Article	Pcs.	Price
HM451HK-1		AEM5303SA	Main	10	
HM451HK-2		AEB45065SA	C/R	8	
HM452HK-1		AEM5227SA	Main	10	
HM452HK-2		AEB4431SA	C/R	8	

HONDA 本田

HK No.	Eng No.	Product No.	Article	Pcs.	Price
HD461HK-1	D18A/D20A	M458H	Main	10	
HD461HK-2	D18A/D20A	R458H	C/R	8	
HD461HK-21	D16A/2C	R460H	C/R	8	
HD462HK-1	D15A/15B	M453A	Main	10	

HONDA 本田

HK No.	Eng No.	Product No.	Article	Pcs.	Price
HD462HK-2	D15A/15B	R456H	C/R	8	
HD463HK-1	EB1/EE	M451A	Main	10	
HD463HK-2	EB1/EE	R452H	C/R	8	
HD464HK-1	EC/ED	M451A	Main	10	
HD464HK-2	EC/ED	R451H	C/R	8	
HD465HK-1	ES/ET/A18A/A20A	M454H	Main	10	
HD465HK-2	ES/ET/A18A/A20A	R454H	C/R	8	
HD466HK-1	F20A	M459H	Main	10	
HD466HK-2	F20A	R459H	C/R	8	
HD467HK-1	D17A	M9760A	Main	10	
HD467HK-2	D17A	R9760A	C/R	8	
HD468HK-1	L15A	M9770A	Main	10	
HD468HK-2	L15A	R9770A	C/R	8	
HD469HK-1	B20A,B21A	M9900K	Main	10	
HD469HK-2	B20A,B21A	R991K	C/R	8	
HD469HK-2-1	ZC	R990K	C/R	8	
HD470HK-1	EE,EJ,EN	M980A	Main	10	
HD470HK-2	EE,EJ,EN	R980K	C/R	8	
HD471HK-1	ER	M988A	Main	10	
HD471HK-2	ER	R988K	Main	8	
HD472HK-1	ES,ET	M983K	Main	10	
HD472HK-2	ES,ET	R989K	C/R	8	
HD473HK-1	EV1	M988A	Main	10	
HD473HK-2	EV1	R992K	C/R	8	
HD474HK-1	EV	M980A	Main	10	
HD474HK-2	EV	R981K	C/R	8	
HD474HK-2-1	EW	R984K	C/R	8	
HD475HK-1	EY	M983K	Main	10	
HD475HK-2	EY	R983K	C/R	8	
HD476HK-1	F18B/20B	M9950K	Main	10	
HD476HK-11	F18B/20B	M9810A	Main	10	
HD476HK-2	F18B/20B	R989K	C/R	8	
HD476HK-2-1	F20A/22B	R991K	C/R	8	
HD477HK-1	H23A	M9810A	Main	10	
HD477HK-2	H23A	R9780K	C/R	8	
HD478HK-1	K20A	M9780A	Main	10	
HD478HK-2	K20A	R9780K	C/R	8	
HD478HK-2-1	K24A	R9781K	C/R	8	


[Http://www.masterpartssupply.com](http://www.masterpartssupply.com)


HYUNDAI 现代

HK No.	Eng No.	Product No.	Article	Pcs.	Price
HY471HK-1	D3EA,1.5,ACCENT		Main	10	
HY471HK-2	D3EA,1.5,ACCENT		C/R	8	
HY472HK-1	SONATA/PONY		Main	10	
HY472HK-2	SONATA/PONY		C/R	8	
HY473HK-1	H100/GRACE		Main	10	
HY473HK-2	H100/GRACE		C/R	8	
HY474HK-1	EXCEL		Main	10	
HY474HK-2	EXCEL		C/R	8	
HY475HK-1	ATOS		Main	10	
HY475HK-2	ATOS		C/R	8	

HINO 日野

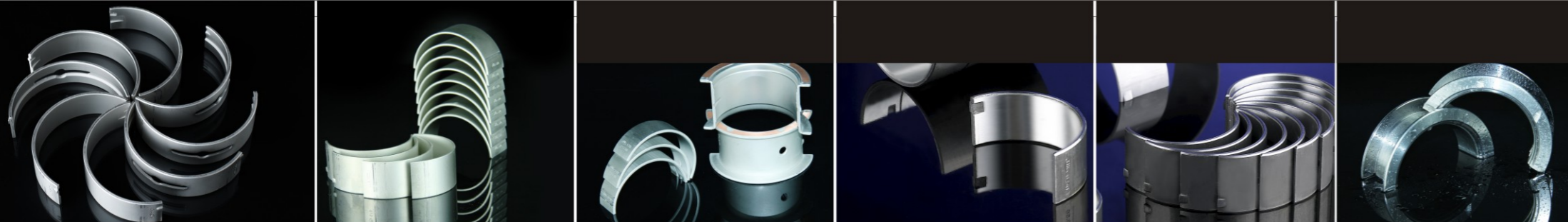
HK No.	Eng No.	Product No.	Article	Pcs.	Price
HN481HK-1	EF550/750	M220H1/M123K	Main	10	
HN481HK-2	EF550/750	R220H1/R123K	C/R	16	
HN482HK-1	EH100/300/500/700	M208H1/M1149K	Main	14	
HN482HK-2	EH100	R206H1/R1148K	C/R	12	
HN482HK-2-1	EH300	R209H1/R149K1	C/R	12	
HN482HK-2-2	EH500/700	R208H1/R1140K	C/R	12	
HN482HK-2-3	EC100	R205H1/R145K1	C/R	12	
HN483HK-1	EK100/200EK200	M214H/M106K	Main	14	
HN483HK-2	EK100/200EK200	R214H/R1106K	C/R	12	
HN484HK-1	H06C/H07C/H07D	M218H/M1108K	Main	14	
HN484HK-2	H07C/H07C	R218H1/R108K	C/R	12	
HN484HK-2-1	H07C/H07C	R219H1/R109K	C/R	12	
HN484HK-2-2	H07D	R224H1/R1113K	C/R	12	
HN485HK-1	W04C-T/W04D/T	M216H/M133K	Main	10	
HN485HK-2	W04C-T/W04D/T	R216H/R133K	C/R	8	
HN486HK-1	EL100/EM100\EP100	/M215HM1143K	Main	14	
HN486HK-2	EL100	R215/R137K	C/R	12	
HN486HK-2-1	EM100	R223H/R138K	C/R	12	
HN486HK-2-2	EP100	R221H/R143K	C/R	12	
HN486HK-2-3	EP100-T	R222H/R142K	C/R	12	
HN487HK-1	J08C	MP1104K	Main	14	
HN487HK-2	J08C	R1113K	C/R	12	

I.H.C

HK No.	Eng No.	Product No.	Article	Pcs.	Price
IH511HK-1	D817/DT817	MS-529P	Main	14	
IH511HK-2	D817/DT817	CB-590P	C/R	12	
IH512HK-1	D206/D239	VPM92201	MAIN	10	
IH512HK-2	D206/D239	VPR92198	C/R	8	
IH513HK-1	DT358	VPM92202	MAIN	14	
IH513HK-2	DT358	VPR92500	C/R	12	

ISUZU 五十铃

HK No.	Eng No.	Product No.	Article	Pcs.	Price
IZ531HK-1	4BB1	M168H	Main	10	
IZ531HK-2	4BB1	R168H	C/R	8	
IZ532HK-1	4BC2	M177H	Main	10	
IZ532HK-2	4BC2	R168H	C/R	8	
IZ533HK-1	4BD1	M178H	Main	10	
IZ533HK-2	4BD1	R168H	C/R	8	
IZ534HK-1	4FA1/4FB1	M4521A	Main	10	
IZ534HK-2	4FA1/4FB1	R4521A	C/R	8	
IZ535HK-1	4HF1	M4547K	Main	10	
IZ535HK-2	4HF1	R4547K	C/R	8	
IZ536HK-1	4JA1	M184A	Main	10	
IZ536HK-2	4JA1	R184A	C/R	8	
IZ537HK-1	4JB1	M185A	Main	10	
IZ537HK-2	4JB1	R184A	C/R	8	
IZ538HK-1	4ZA1/4ZB1/4X1	M172A	Main	10	
IZ538HK-2	4ZA1/4ZB1/4X1	R172A	C/R	8	
IZ539HK-1	6RA1/6RB1	M448K	Main	14	
IZ539HK-2	6RA1/6RB1	R4048K	C/R	12	
IZ540HK-1	6SA1/6SD1	M444K	Main	14	
IZ540HK-2	6SA1/6SD1	R444K	C/R	12	
IZ540HK-2-1	6SD1-T	R445K	C/R	12	
IZ541HK-1	8PD1/10PD1/12PD1	MP4040K	Main	10	
IZ541HK-2	8PD1/10PD1/12PD1	RP4040K	C/R	16	
IZ542HK-1	C190	M153H	Main	10	
IZ542HK-2	C190	R160H	C/R	8	
IZ543HK-1	C223	M183H	Main	10	


[Http://www.masterpartssupply.com](http://www.masterpartssupply.com)


ISUZU 五十铃

HK No.	Eng No.	Product No.	Article	Pcs.	Price
IZ543HK-2	C223	R160H	C/R	8	
IZ544HK-1	C240	M160H	Main	10	
IZ544HK-2	C240	R160H	C/R	8	
IZ545HK-1	G161/G180	M171H	Main	10	
IZ545HK-2	G161/G180	R171H	C/R	8	
IZ546HK-1	6BD1	M173H	Main	14	
IZ546HK-2	6BD1	R169H	C/R	12	
IZ547HK-1	6HE1	M400K	Main	14	
IZ547HK-2	6HE1	R4000K	C/R	12	
IZ547HK-21	6HE-T	R4005K	C/R	12	
IZ548HK-1	8-12PA/PB	MP4038K	Main	10	
IZ548HK-2	8-12PA/PB	RP4038K	C/R	16	
IZ549HK-1	6WA1-T/6WG1-1/W6F1-T	M4050K	Main	14	
IZ549HK-1	6WA1-T/6WG1-1/W6F1-T	R4050K	C/R	12	

JOHN DEERE

HK No.	Eng No.	Product No.	Article	Pcs.	Price
JD571HK-1		MS-1459AL	Main	14	
JD571HK-2		CB-759AL	C/R	12	
JD572HK-1		MS-874AL	Main	8	
JD572HK-2		CB-759AL	C/R	8	

KHD 道依茨

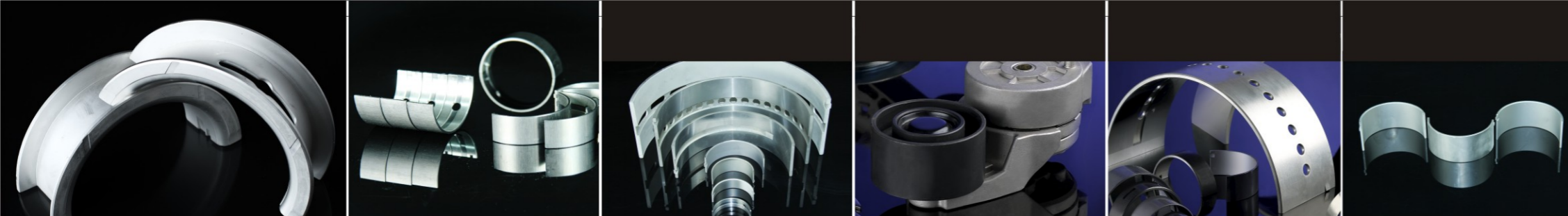
HK No.	Eng No.	Product No.	Article	Pcs.	Price
KH611HK-1	F4L/912	72-2228/5	Main	10	
KH611HK-2	F4L/912	71-2800/4	C/R	8	
KH612HK-1	F8L/513	H931/5	Main	10	
KH612HK-2	F8L/513	71-2834/8	C/R	16	
KH613HK-1	BF8L/413	H925/5	Main	10	
KH613HK-2	BF8L/413	71-2834/8	C/R	16	
KH614HK-1	BF6L/913	H085/7	Main	14	
KH614HK-2	BF6L/913	71-3167/6	C/R	12	
KH615HK-1	F2L511	H960/2	Main	2	
KH615HK-B	F2L511		Bush	2	
KH615HK-2	F2L511	71-3463	C/R	4	

KHD 道依茨

HK No.	Eng No.	Product No.	Article	Pcs.	Price
KH616HK-1	F2L1011	H019/3	Main	6	
KH616HK-2	F2L1011	01-3688/2	C/R	4	
KH617HK-1	F3L1011/F3M1011	H019/4	Main	8	
KH617HK-2	F3L1011/F3M1011	01-3688/3	C/R	6	
KH618HK-1	F4L1011/F4M1011	H019/5	Main	10	
KH618HK-2	F4L1011/F4M1011	01-3688/4	C/R	8	
KH619HK-1	BF4L1011/BF4M1011	H019/5	Main	10	
KH619HK-2	BF4L1011/BF4M1011	01-3801/4	C/R	8	
KH620HK-1	F4M1012	H055/5	Main	10	
KH620HK-2	F4M1012	71-3802/4	C/R	8	
KH621HK-1	BF6M1012	H055/7	Main	14	
KH621HK-2	BF6M1012	71-3802/6	C/R	12	
KH622HK-1	BF6M1013	H056/7	Main	14	
KH622HK-2	BF6M1013	71-3807/6	C/R	12	
KH623HK-1	F8L1015		Main	2	
KH623HK-2	F8L1015		C/R	2	
KH624HK-1	F4L2012		Main	2	
KH624HK-2	F4L2012		C/R	2	

KUBOTA 久保田

HK No.	Eng No.	Product No.	Article	Pcs.	Price
KB631HK-2		Et95	C/R	2	
KB632HK-2		KND3	C/R	2	
KB633HK-3		ER65	C/R	2	
KB634HK-4		ET70-80	C/R	2	
KB635HK-5		KND7	C/R	2	
KB636HK-6		ER50	C/R	2	
KB637HK-2		ER100	C/R	2	
KB638HK-2		KND5	C/R	2	
KB639HK-2		KND5B	C/R	2	
KB640HK-2		ET70/ET80	C/R	2	
KB641HK-2		GD75	C/R	2	
KB642HK-2		GD105	C/R	2	


[Http://www.masterpartssupply.com](http://www.masterpartssupply.com)

KOMATSU 小松

HK No.	Eng No.	Product No.	Article	Pcs.	Price
KM651HK-1		MB1120K1	Main	14	
KM651HK-2		RB1120K1	C/R	12	
KM652HK-1		M890K	Main	14	
KM652HK-2		R890K	C/R	12	
KM653HK-1	6D125	M892K	Main	14	
KM653HK-2	6D125	R892K	C/R	12	
KM654HK-1	4D94	M407H	Main	10	
KM654HK-2	4D94	R403H	C/R	8	
KM655HK-1	6D105	M405A	Main	14	
KM655HK-2	6D105	R405A	C/R	12	
KM656HK-2	T6F22	R866K	C/R	12	
KM657HK-1	T6F22	M865K	Main	14	
KM658HK-1	4D95	M888K	Main	10	
KM658HK-2	4D95	R888K	C/R	8	
KM659HK-1	4D105	M404A	Main	10	
KM659HK-2	4D105	R404A	C/R	8	
KM660HK-1	6D95	M409H	Main	14	
KM660HK-2	6D95	R409H	C/R	12	
KM661HK-1	6D125	M892K	Main	14	
KM661HK-2	6D125	R892K	C/R	12	

LADA 拉达

HK No.	Eng No.	Product No.	Article	Pcs.	Price
LD671BK-1	21011/2103/21041300/1600cc	6481M	MAIM	10	
LD671BK-2	2108	4-66415RA	C/R	8	
LD672BK-1	2121 106 TUD5 1527cc	7196M	MAIN	10	
LD672BK-T	THRUST WASHER	62047BFA		4	
LD673BK-1	Niva 1.9D XUD9A/1905cc	6610M	MAIN	10	
LD673BK-2	Niva 1.9D XUD9A/1905cc	4-66725RA	C/R	8	
LD674BK-1	406.1000102		MAIN	10	
LD674BK-2	406.1000104		C/R	8	
LD675HK-1	402 24-1000102-01		MAIN	10	
LD675HK-2	402 BK-24-1000104		C/R	8	

LEYLAND 利兰

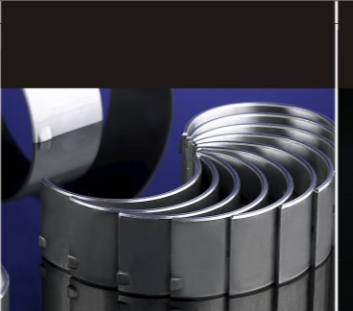
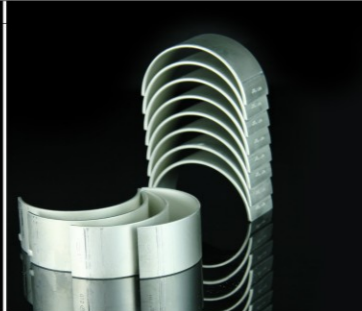
HK No.	Eng No.	Product No.	Article	Pcs.	Price
LL681HK-1		AEM7271SA	MAIN	14	
LL681HK-2		AEB6428SA	C/R	12	
LL682HK-1		AEM7276SA	MAIN	14	
LL682HK-2		AEB6429SA	C/R	12	
LL683HK-1		AEM7255SA	MAIN	14	
LL683HK-2		AEB6409SA	C/R	12	
LL684BK-1		AEM7316	MAIN	14	
LL684BK-2		AEB6472	C/R	12	

LISTER

HK No.	Eng No.	Product No.	Article	Pcs.	Price
LT691HK-1	ST1/ST2/ST3	VPM91576LC	Main	2	
LT691HK-11	ST1/ST2/ST3	VPM91575LC	Main	4	
LT691HK-2	ST1/ST2/ST3	VPR91574LC	C/R	2	
LT692HK-1	HRA/HRW	VPM91544	Main	4	
LT692HK-11	HRA/HRW	VPM91543	Main	4	
LT692HK-2	HRA/HRW	VPR91542	C/R	4	
LT693HK-1	SR1/SR2/SR3	VPM92377LC	Main	6	
LT693HK-2	SR1/SR2/SR3	VPR92318	C/R	4	
LT694HK-1	PETTER/PH, 2, 3	M3405	Main	4	
LT694HK-2	PETTER/PH, 2, 3	M2085	C/R	4	

MAN 曼

HK No.	Eng No.	Product No.	Article	Pcs.	Price
MN711HK-1	D0226	H967/07	Main	14	
MN711HK-2	D0226	71-3482/6	C/R	12	
MN712HK-1	D0826	H049/07	Main	14	
MN712HK-2	D0826	71-3660/6	C/R	12	
MN713HK-1	D0846	H828/07	Main	14	
MN713HK-2	D0846	71-2913/6	C/R	12	
MN714HK-1	D2556/D2566	H992/07	Main	14	
MN714HK-2	D2556/D2566	71-3561/06	C/R	12	
MN715HK-1	D2156/D2356	H714/7	Main	14	
MN715HK-2	D2156/D2356	71-2450/6	C/R	12	



[Http://www.masterpartssupply.com](http://www.masterpartssupply.com)



MAZDA 马自达

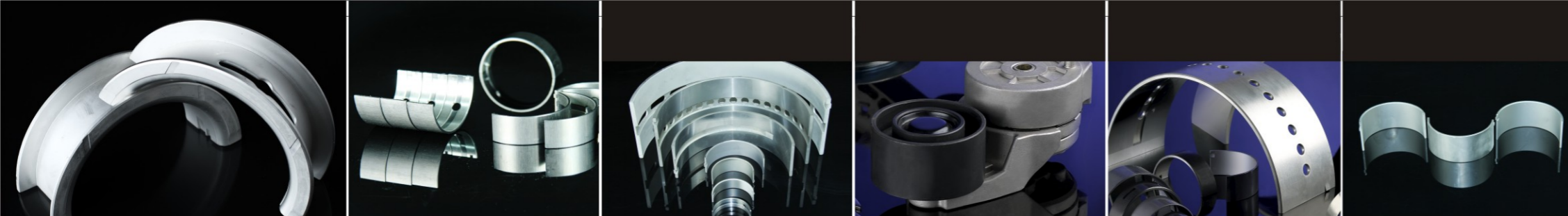
HK No.	Eng No.	Product No.	Article	Pcs.	Price
MD731HK-1	B6	M317A	Main	10	
MD731HK-2	B6	R317A	C/R	8	
MD732HK-1	E1/E3/E5	M313A	Main	10	
MD732HK-2	E1/E3/E5	R313A	C/R	8	
MD733HK-1	F6/F8/FE	M315A	Main	10	
MD733HK-2	F6/F8/FE	R315A	C/R	8	
MD734HK-1	HA/SL-T	M312H1	Main	10	
MD734HK-2	HA/SL-T	R312H	C/R	8	
MD735HK-1	MA.NA	M304A	Main	10	
MD735HK-2	MA	R305A	C/R	8	
MD735HK-21	NA	R304A	C/R	8	
MD736HK-1	PB/TA/TB	M303A	Main	10	
MD736HK-2	PB/TA/TB	R303A	C/R	8	
MD737HK-1	R2	M316A	Main	10	
MD737HK-2	R2	R315A	C/R	8	
MD738HK-1	S2	M314H	Main	10	
MD738HK-2	S2	R314H	C/R	8	
MD739HK-1	TC/PC	M310A	Main	10	
MD739HK-2	TC/PC	R303A	C/R	8	
MD740HK-1	XA/XB	M307H/M8400K	Main	10	
MD740HK-2	XA/XB	RP307H/R8400K	C/R	4	
MD741HK-1	WL	M327A/M8450A	Main	10	
MD741HK-2	WL	R327A/R8450A	C/R	8	
MD742HK-1	FS	M325A	Main	10	
MD742HK-2	S2	R325A	C/R	8	

MERCEDES-BENZ 奔驰

HK No.	Eng No.	Product No.	Article	Pcs.	Price
BZ742HK-1	M102(M601)	H977/05	Main	10	
BZ742HK-2	M102(M601)	71-2995/04	C/R	8	
BZ743HK-1	M103	H977/07	Main	14	
BZ743HK-2	M103	71-3605/6	C/R	12	
BZ744HK-1	M110	H859/7	Main	14	
BZ744HK-2	M110	71-2995/6	C/R	12	
BZ745HK-1	OM115	H796/5	Main	10	
BZ745HK-2	OM115	71-3227/4	C/R	8	

MERCEDES-BENZ 奔驰

HK No.	Eng No.	Product No.	Article	Pcs.	Price
BZ745HK-21	OM115	71-2773/4	C/R	8	
BZ746HK-1	OM314	H712/5	Main	10	
BZ746HK-2	OM314	71-3572/4	C/R	8	
BZ746HK-K	OM314	11-3438	kompr	2	
BZ747HK-1	OM346	H614/07	MAIN	14	
BZ747HK-2	OM346	71-2234/06	C/R	12	
BZ748HK-1	OM352	H712/7	Main	14	
BZ748HK-2	OM352	71-3572/6	C/R	12	
BZ748HK-K	OM352	11-1916	kompr	2	
BZ749HK-1	OM355	H818/7	Main	14	
BZ749HK-2	OM355	71-2549/6	C/R	12	
BZ749HK-K1	OM355	71-3004	kompr	2	
BZ749HK-K2	OM355	71-3192	kompr	2	
BZ750HK-1	OM360	H809/7	Main	14	
BZ750HK-2	OM360	71-2811/6	C/R	12	
BZ751HK-1	OM366	H048/7	Main	14	
BZ751HK-2	OM366	71-3572/6	C/R	12	
BZ752HK-1	OM401/421/441	H821/4	Main	8	
BZ752HK-2	OM401/421/441	71-3009/6	C/R	12	
BZ752HK-3	OM401/421/441	71-3693/6	C/R	12	
BZ752HK-K	OM401/421/441	71-2965	kompr	2	
BZ753HK-1	OM402/422/422	H821/5	Main	10	
BZ753HK-2	OM402/422/422	71-3009/8	C/R	16	
BZ754HK-1	OM403/443LA	H821/6	Main	12	
BZ754HK-2	OM403/443LA	71-3009/10	C/R	20	
BZ754HK-21	OM403	71-3638/10	C/R	20	
BZ755HK-1	443LA	H821/7	Main	14	
BZ755HK-2	OM404/OM424	71-3009/12	C/R	24	
BZ756HK-1	OM424/OM444	H821/7	Main	14	
BZ756HK-2	OM424/OM444	71-3638/12	C/R	24	
BZ757HK-1	OM447	H881/7	Main	14	
BZ757HK-2	OM447	71-3099/6	C/R	12	
BZ758HK-1	OM457	HO75/07	Main	14	
BZ758HK-2	OM457	71-3893/06	C/R	12	
BZ759HK-1	OM601	H997/5	Main	10	
BZ759HK-2	OM601	01-3584/4	C/R	8	
BZ760HK-1	OM602	H997/6	Main	12	


[Http://www.masterpartssupply.com](http://www.masterpartssupply.com)


MERCEDES-BENZ 奔驰

HK No.	Eng No.	Product No.	Article	Pcs.	Price
BZ760HK-2	OM602	01-3584/5	C/R	10	
BZ760HK-21	OM602	71-3645/5	C/R	10	
BZ761HK-1	OM615/OM616	H951/5	Main	10	
BZ761HK-11	OM615/OM616	H914/5	Main	10	
BZ761HK-2	OM615/OM616	01-3040/4	C/R	8	
BZ762HK-1	OM617/OM616	H951/6	Main	12	
BZ762HK-11	OM616	H914/6	Main	12	
BZ762HK-2	OM617	01-3040/5	C/R	10	
BZ762HK-21	OM617	7-3227/05	C/R	16	
BZ763HK-1	OM364	H048/5	Main	10	
BZ763HK-2	OM364	71-3572/4	C/R	8	
BZ764HK-1	OM904LA/906LA	72-3851	Main	10	
BZ764HK-2	OM904LA/906LA	71-3850	C/R	8	
BZ765HK-1	OM501	H063/4	Main	8	
BZ765HK-2	OM501	71-3835/6	C/R	12	
BZ766HK-1	OM502	H063/5	Main	10	
BZ766HK-2	OM502	71-3868/8	C/R	16	

MITSUBISHI 三菱

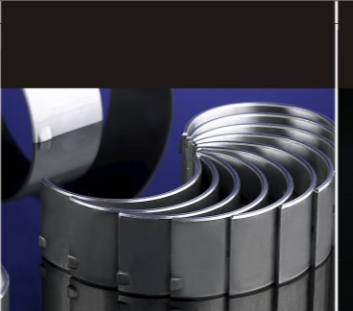
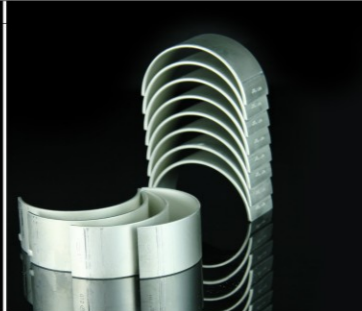
HK No.	Eng No.	Product No.	Article	Pcs.	Price
MI781HK-1	4G51/52/53/54	M113A/M7277A	Main	10	
MI781HK-2	4G51/52/53/54	R113A/R7270A	C/R	8	
MI782HK-1	4D30/4D31/4G32	M121H/M6029K	Main	10	
MI782HK-2	4D30/4D31/4G32	R121H/R6029K	C/R	8	
MI783HK-1	6D10-11/6D14-15	M112H1/M6320K	Main	14	
MI783HK-2	6D10-11/6D14-15	R112H/R6321K	C/R	12	
MI783HK-21	6D15-16	R129H	C/R	12	
MI784HK-1	4G63	M136A/M7281A	Main	10	
MI784HK-2	4G63	R136A/R7281A	C/R	8	
MI785HK-1	4G91/92/93	M135A/M7200A	Main	10	
MI785HK-2	4G91/92/93	R135A/R7200A	C/R	8	
MI786HK-1	4G13B/4G15B	M119A/M7264A	Main	10	
MI786HK-2	4G13B/4G15B	R119A/R7263A	C/R	8	
MI786HK-21	G13B/G1TB	R130A/R7264A	C/R	8	
MI787HK-1	4G30/4G64	M111A	Main	10	

MITSUBISHI 三菱

HK No.	Eng No.	Product No.	Article	Pcs.	Price
MI787HK-2	4G30/4G64	R111A	C/R	8	
MI788HK-1	4G52/4G54	M118A	Main	10	
MI788HK-2	4G52/4G54	R113A	C/R	8	
MI789HK-1	6D20/21	M115H/M6308K	Main	14	
MI789HK-2	6D20/21	R115H/R609K	C/R	12	
MI790HK-1	8DC2/8DC20	MP107H3/M6314K	Main	10	
MI790HK-2	8DC2/8DC20	RP107H3/R6314K	C/R	16	
MI791HK-1	6D31/6D31-T	M132H/M6331K	Main	14	
MI791HK-2	6D31/6D31-T	R132H/R6331K	C/R	12	
MI792HK-1	6G71/6G72	M123A/M7285A	Main	8	
MI792HK-2	6G71/6G72	R123A/R7285A	C/R	12	
MI793HK-1	4G11/4G13	M119A/M7264A	Main	10	
MI793HK-2	4G11/4G13	R119A/R7263A	C/R	8	
MI794HK-1	4M40	M133H/M7800K	Main	10	
MI794HK-2	4M40	R133H/R7800K	C/R	8	
MI795HK-1	S2K/S4K/S6K	MP131H/MP6026K	Main	2	
MI795HK-2	S2K/S4K/S6K	RP131H/MP6026K	C/R	2	
MI796HK-1	4D55/4D56	M140AA/M7278A	Main	10	
MI796HK-2	4D55/4D56	R113A/R7270A	C/R	8	
MI797HK-1	4G63/4G64	M139A/M7282A	Main	10	
MI797HK-2	4D55 4G53/4G54	R136A/R7281A	C/R	8	
MI798HK-1	S2E/4E/6E	MP128H/MP625K	Main	2	
MI798HK-2	S2E/4E/6E	RP128H/MP625K	C/R	2	

NISSAN 尼桑

HK No.	Eng No.	Product No.	Article	Pcs.	Price
NI811HK-1	A12/A14/A15	M060H/M2058K	Main	10	
NI811HK-2	A12/A14/A15	R60H/R2055K	C/R	8	
NI812HK-1	CA16/CA17/CA18/CA20	M083H/M2620A	Main	10	
NI812HK-2	CA16/CA17/CA18/CA20	R083H/R2617A	C/R	8	
NI813HK-1	E13/E15	M068H/M2060A	Main	10	
NI813HK-2	E13/E15	R068H/R2060K	C/R	8	
NI814HK-1	H20	M053H/M2010K	Main	10	
NI814HK-2	H20	R052H/R2005K	C/R	8	
NI815HK-1	J13/J15/J16	M059H/M238K	Main	6	



Http://www.masterpartssupply.com



NISSAN 尼桑

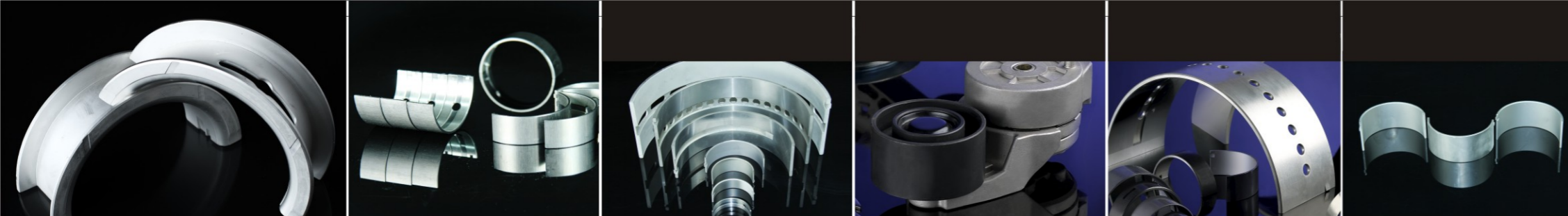
HK No.	Eng No.	Product No.	Article	Pcs.	Price
NI815HK-2	J13/J15/J16	R051H/R2036K	C/R	8	
NI816HK-1	L13/14/16/18	M054H/M2040K	Main	10	
NI816HK-2	L13/14/16/18	R054H/R2040K	C/R	8	
NI817HK-1	L20B/LD20/Z20	M066H/M2042K	Main	10	
NI817HK-2	L20B/LD20/Z20	R054H/R2040K	C/R	8	
NI818HK-1	LD28/L28	M057H/M2025K	Main	14	
NI818HK-2	LD28/L28	R057H/R2025K	C/R	12	
NI819HK-1	VG30E	M088H	Main	8	
NI819HK-2	VG30E	R088H	C/R	12	
NI820HK-1	YD22/YD25	M2600A/M1050A	Main	10	
NI820HK-2	YD22/YD25	R2600A/R1050A	C/R	8	
NI821HK-1	KA24	M084H/R2507K	Main	10	
NI821HK-2	KA24	R084H/R2507K	C/R	8	
NI822HK-1	BD30	M087H/M3035K	Main	10	
NI822HK-2	BD30	R087H/R3030K	C/R	8	
NI823HK-1	BD25	M200A	Main	10	
NI823HK-2	BD25	R200A	C/R	8	
NI824HK-1	ND6 NE6	M067H1/M3333K	Main	14	
NI824HK-2	ND6 NE6	R067H1/R3310K	C/R	12	
NI825HK-1	PE6H PD6 PW6	M076H/M3307K	Main	14	
NI825HK-2	PE6H PD6 PW6	R076H/R3307K	C/R	12	
NI826HK-1	RD8 RE8	M090H/M3317K	Main	10	
NI826HK-2	RD8 RE8	RP063H/R3312K	C/R	16	
NI827HK-1	SD20/22/23/25	M085H/M321K	Main	10	
NI827HK-1H1	SD20/22/24/26	M080H1/M3020K	Main	6	
NI827HK-2	SD20/22/23/24/25/26	R080H/R3035K	C/R	8	
NI828HK-1	TD27 TD23/TD25	M087H/M3035K	Main	10	
NI828HK-2	TD23	R080H/R3035K	C/R	8	
NI828HK-2-1	TD25/TD27	R089H/R3036K	C/R	8	
NI829HK-1	TD42/42T	M096H/M3038K	Main	14	
NI829HK-2	TD42/42T	R096H/R3038K	C/R	12	
NI830HK-1	FE6/FE6-T	M092H/M3329K	Main	14	
NI830HK-2	FE6/FE6-T	R092H/R3329K	C/R	12	

NISSAN DIESEL 尼桑柴油机

HK No.	Eng No.	Product No.	Article	Pcs.	Price
NI831HK-1	ND6/NE6	M067H1/M3333K	Main	14	
NI831HK-2	ND6/NE6	R067H1/R3310K	C/R	12	
NI832HK-1	PE6H/PD6/PW6	M076H/M3307K	Main	14	
NI832HK-2	PE6H/PD6/PW6	R076H/R3307K	C/R	12	
NI833HK-1	RD8/RE8	M090H/M3317K	Main	10	
NI833HK-2	RD8/RE8	RP063H/R3312K	C/R	16	
NI834HK-1	SD20/22/23/25	M085H/M321K	Main	10	
NI834HK-2	SD20/22/24/26	M080H1/M3020K	Main	6	
NI834HK-2-1	SD20/22/23/24/25/26	R080H/R3035K	C/R	8	
NI835HK-1	SD33/33T	M081H/M3025K	Main	8	
NI835HK-2	SD33/33T	R081H/R3035K	C/R	12	
NI836HK-1	TD27/TD23/TD25	M087H/M3035K	Main	10	
NI836HK-2	TD23	R080H/R3035K	C/R	8	
NI836HK-21	TD25/TD27	R089H/R3036K	C/R	8	
NI837HK-1	FE6/FE6-T	M092H/M3329K	Main	14	
NI837HK-2	FE6/FE6-T	R092H/R3329K	C/R	12	
NI838HK-1	BD30	M087H/M3035K	Main	10	
NI838HK-2	BD30	R087H/R3030K	C/R	8	
NI839HK-1	TD42/42T	M096H/M3038K	Main	14	
NI839HK-2	TD42/42T	R096H/R3038K	C/R	12	

OPEL 欧宝

HK No.	Eng No.	Product No.	Article	Pcs.	Price
OP851HK-1		H982/5	Main	10	
OP851HK-2		71-3626/4	C/R	8	
OP851HK-21		71-3531/4	C/R	8	
OP852HK-1		H708/5	Main	10	
OP852HK-2		71-3560/4	C/R	8	
OP853HK-1		H975/5	Main	10	
OP853HK-2		71-3504/4	C/R	8	
OP853HK-21		71-3639/4	C/R	8	
OP854HK-1		H893/5	Main	10	
OP854HK-2		71-3174/4	C/R	8	


[Http://www.masterpartssupply.com](http://www.masterpartssupply.com)


PERKINS 帕金斯

HK No.	Eng No.	Product No.	Article	Pcs.	Price
PK871HK-1	6.354.3/4 1006	AEM7377SA/68079	Main	14	
PK871HK-2	6.354.3/4 1006	AEB6341SA/85043	C/R	12	
PK871HK-1-1	6.354.3/4 1006	U5MB0030	Main	14	
PK872HK-1	6.354.3/4 1006	AEM7189SA/85010	Main	14	
PK872HK-2	6.354.3/4 1006	AEB6341SA/85043	C/R	12	
PK873HK-1	4.236/1004	AEM5212SA/81558	Main	10	
PK873HK-2	4.236/1004	AEB4438SA/85042	C/R	8	
PK874HK-1	4.203	AEM5133SA/68082	Main	10	
PK874HK-2	4.203	AEB4309/85035	C/R	8	
PK875HK-1	3.152	VPM864A/68084	Main	8	
PK875HK-2	3.152	VPR863A/85036	C/R	6	
PK876HK-1		1080	MAIN	10	
PK876HK-2		1080	C/R	8	
PK877HK-1		970	MAIN	2	
PK877HK-2		970	C/R	2	
PK878HK-1	U5MK0265	VPM91194A	MAIN	10	
PK878HK-2	U5MK0265	VPR91193A	C/R	8	
PK879HK-1		M5133	MAIN	10	
PK879HK-2		B4309	C/R	8	
PK880HK-1	PERKINS 444		MAIN	10	
PK880HK-2	PERKINS 444		C/R	8	
PK881HK-1	1104	U5MB0018	MAIN	10	
PK881HK-2	1104	U5ME0013	C/R	8	
PK882HK-1		U5MB0019	MAIN	8	
PK882HK-2		U5ME0018	C/R	6	
PK883HK-1	U5MB0011	198586140	MAIN	8+2BUS	
PK883HK-2	U5ME0011	U5ME0011	C/R	8	
PK884HK-1	3.152	AN4111LC	MAIN	8	
PK884HK-2	3.152	KL3060LC	C/R	6	

PEUGEOT 标致

HK No.	Eng No.	Product No.	Article	Pcs.	Price
PG891HK-1	204 304	6297M	MAIN	20	
PG891HK-2	204 304	4-60480RA	C/R	16	
PG892HK-1	XU5 205 305 405	6605M	MAIN	10	

PEUGEOT 标致

HK No.	Eng No.	Product No.	Article	Pcs.	Price
PG892HK-2	Xu5 205 305 405	4-66720RA	C/R	8	
PG893HK-1	205D 405D XUD9A	6610M	MAIN	10	
PG893HK-2-1	306 405 406 605 XU10 J2/4	4-4305RA	C/R	8	
PG893HK-2	205D 405D XUD9A	4-66725RA	C/R	8	
PG894HK-1	104 204 205	6475M	MAIN	10	
PG894HK-11	104 204 205	6548M	MAIN	10	
PG894HK-2	104 204 205	4-62045RA	C/R	8	
PG895HK-1	404 504 505	6354M	MAIN	10	
PG895HK-11	404 504 505	6597M	MAIN	10	
PG895HK-2	404 504 505	42865RA	C/R	8	
PG896HK-1	XD3 505D 604D	6594M	MAIN	10	
PG896HK-2	XD3 505D 604D	4-66690RA	C/R	8	
PG897HK-1		VPM93024A	MAIN	10	
PG897HK-2		VPR93025A	C/R	8	
PG898HK-1	205,309,405 XU9JA/XU92C	7022M	MAIN	10	
PG898HK-2	205,309,405 XU9JA/XU92C	4-1305RA	C/R	8	
PG899HK-1	306,405,406 XU7JP/XU7JP4	7044M	MAIN	10	
PG899HK-2	306,405,406 XU7JP/XU7JP4	4-4300RA	C/R	8	
PG899HK-21	306,405,406 XU7JP/XU7JP4	4-4305RA	C/R	8	
PG900HK-1	XD2 505D 604D	4668M	MAIN	10	
PG900HK-2	XD2 505D 604D	4-66690RA	C/R	8	
PG901HK-1	TU5 106 205 306	7196M	MAIN	10	
PG901HK-2	TU5 106 205 306	4-62045RA	C/R	8	
PG902HK-1	TU5 106 205 306	7196M	MAIN	10	
PG902HK-11	TUD 3/5 106 205 306	7023M	MAIN	10	
PG902HK-2	TU5 106 205 306	4-62045RA	C/R	8	
PG903HK-1	XUD7 DW10 DW12	H1057/5	MAIN	10	
PG903HK-2	XUD7 DW10 DW12	71-3952/4	C/R	8	
PG904HK-1	EXPERT 1.6	H1075/5	MAIN	10	
PG904HK-2	EXPERT 1.6	01-4127/4	C/R	8	

RENAULT 雷诺

HK No.	Eng No.	Product No.	Article	Pcs.	Price
RN911HK-1	R5,R9,R11	6444M	MAIN	10	
RN911HK-11	R5,R9,R11	6372M	MAIN	10	



Http://www.masterpartssupply.com

RENAULT 雷诺

HK No.	Eng No.	Product No.	Article	Pcs.	Price
RN911HK-2	R5,R9,R11	4-2950RAA	C/R	8	
RN912HK-1	R12,R15,R16	6274M	MAIN	10	
RN912HK-2	R12,R15,R16	4-60475RA	C/R	8	
RN913HK-1	R4,R5,R6	6368M/H1038/3	MAIN	10	
RN913HK-2	R4,R5,R6	4-2390RA/01-4133/4	C/R	8	
RN914HK-1	R19,R21	7175M/H1080/5	MAIN	10	
RN914HK-2	R19,R21	4-66740RA/01-4202/4	C/R	8	
RN915HK-1	R18,R20,R21,R25,T30	6575M	MAIN	10	
RN915HK-2	R18,R20,R21,R25,T30	4-66645RA	C/R	8	
RN916HK-1	R14	6380M	MAIN	10	
RN916HK-2	R14	4-62045RA	C/R	8	
RN917HK-1		MB518AM	MAIN	10	
RN917HK-2		CR4402	C/R	8	
RN918HK-1	D7F	7264M	MAIN	10	
RN918HK-2	D7F	4-4405RA	C/R	8	
RN919HK-1	R18,R20,R21,R25,T35	6611M	MAIN	10	
RN919HK-2	R18,R20,R21,R25,T35	4-66600RA	C/R	8	
RN920HK-1	SOFIM 8140.07/8144.97	6564M	MAIN	10	
RN920HK-2	SOFIM 8140.07/8144.97	4-66575CP	C/R	8	
RN921HK-1	SOFIM 8140.07/8144.97	7252M	MAIN	10	
RN921HK-2	SOFIM 8140.07/8144.97	4-1870CP	C/R	8	

ROVER 路虎

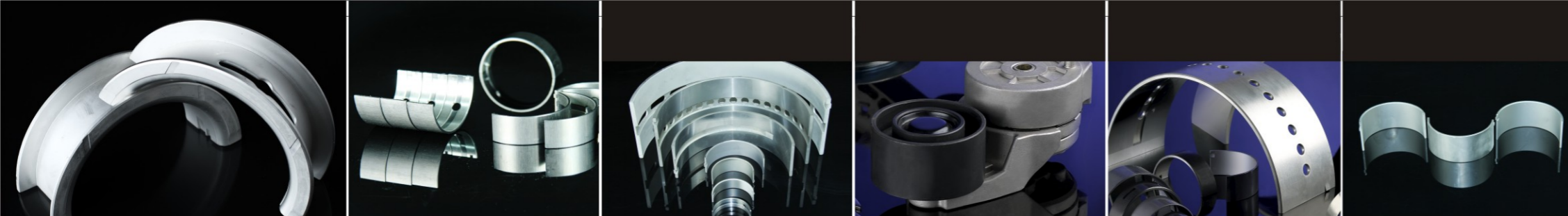
HK No.	Eng No.	Product No.	Article	Pcs.	Price
RV931HK-1		M3275SA	MAIN	6	
RV931HK-2		B4324SA	C/R	8	
RV932HK-1		M5378SA	MAIN	10	
RV932HK-2		B4324SA	C/R	8	
RV933HK-1	TUD5	H1087/5	MAIN	10	
RV933HK-2	TUD5	01-4362/4	C/R	8	

RVI

HK No.	Eng No.	Product No.	Article	Pcs.	Price
RI951HK-1	MID 06.20 30	AEM7453	MAIN	14	
RI951HK-2	MIDR 06.20 45	AEB1130	C/R	12	
RI951HK-2-1	MIDR 06.20 45	AEB1176	C/R	12	
RI951HK-2-2	MID 06.20 30	AEB1165	C/R	12	
RI951HK-2-3	M635/40A,MD06 35 40	AEB1166	C/R	12	
RI952HK-1	MIDS 0635 40	AEM7449	MAIN	14	
RI952HK-2	MIDS 0635 40	AEB1127	C/R	12	
RI954HK-2	RVI 120 LARGE	P5001847482	C/R	12	
RI955HK-2	RVI 120 TIN	VPR92566	C/R	12	
RI956HK-1	MIDR 06.02 12 26	7224M/VPM92590LC	MAIN	14	
RI956HK-2	MIDR 06.02 12 26	4240CP/VPR92590LC	C/R	12	
RI957HK-1	MIDR 06.02 12	6277M/VPM92267LC	MAIN	14	
RI957HK-2	MIDR 06.02 12 26	6-61890	C/R	12	
RI958HK-1	712/13/14/20	6275M	MAIN	10	
RI958HK-2	712/13/14/20	4-60965	C/R		

SCANIA 斯堪尼亚

HK No.	Eng No.	Product No.	Article	Pcs.	Price
SC971HK-1	Ds11	VPM748	MAIN	14	
SC971HK-2	DS11	VPR747	C/R	12	
SC972HK-1	DS14	VPM91462	MAIN	10	
SC972HK-2	DS14	VPR91770	C/R	16	
SC972HK-3	DS11/14	VPW95022	TW	4	
SC973HK-1	DS8/D8	VPM91604	MAIN	14	
SC973HK-2	DS8/D8	VPR91606	C/R	12	
SC974HK-1	DS9	VPM92521LC	MAIN	14	
SC974HK-2	DS9	VPR92350LC	C/R	12	
SC974HK-3	DS9	VPW95179	TW	4	
SC975HK-1	DS12	VPM07007	MAIN	14	
SC975HK-2	DS12	VPR06009	C/R	12	


[Http://www.masterpartssupply.com](http://www.masterpartssupply.com)

SUZUKI 铃木

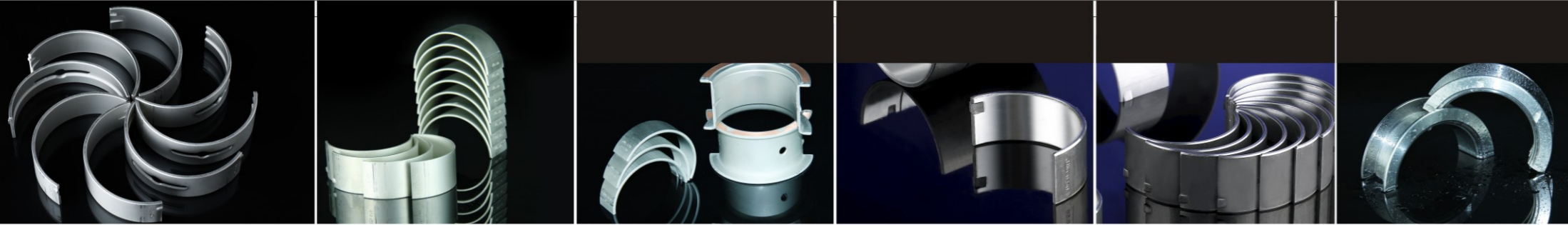
HK No.	Eng No.	Product No.	Article	Pcs.	Price
SU991HK-1	F5A	M653	MAIN	8	
SU991HK-2	F5A	R653	C/R	6	
SU992HK-1	F8A/F10A	M651A	MAIN	10	
SU992HK-2	F8A/F10A	R651A	C/R	8	
SU993HK-1	G10/G10-T	M655A	MAIN	8	
SU993HK-2	G10/G10-T	R655A	C/R	6	
SU994HK-1	G13	M656A	MAIN	10	
SU994HK-2	G13	R656A	C/R	8	
SU995HK-1	G15/G16	M657A	MAIN	10	
SU995HK-2	G15/G16	R657A	C/R	8	
SU996HK-1	Y64(F8A)	M654A	MAIN	8	
SU996HK-2	Y64(F8A)	R652A	C/R	6	
SU997HK-1		M598A	MAIN	6	
SU997HK-2		R590A	C/R	8	
SU998HK-1		M591	MAIN	6	
SU998HK-2		R592	C/R	8	

TOYOTA 丰田

HK No.	Eng No.	Product No.	Article	Pcs.	Price
TY1011HK-1	1A/2A/3A/4A	M022A	MAIN	10	
TY1011HK-2	1A/2A/3A/4A	R022A	C/R	8	
TY1012HK-1	2A/3A/4A/5A	M043A	MAIN	10	
TY1012HK-2	2A/3A/4A/5A	R043A	C/R	8	
TY1013HK-1	B/2B	M035A	MAIN	10	
TY1013HK-2	B/2B	R035A	C/R	8	
TY1014HK-1	3B/13B	M040A	MAIN	10	
TY1014HK-2	3B/13B	R040A	C/R	8	
TY1014HK-2-1	3B/11B/14B	R048A	C/R	8	
TY1015HK-1	1C/1C-T/2C	M038A	MAIN	10	
TY1015HK-2	1C/1C-T/2C	R038A	C/R	8	
TY1016HK-1	1C/2C	M045	MAIN	10	
TY1016HK-2	1C/2C	R045	C/R	8	
TY1017HK-1	D/2D	M030H	MAIN	14	
TY1017HK-2	D/2D	R030H	C/R	12	
TY1018HK-1	K/2K/3K/4K	M002A	MAIN	10	

TOYOTA 丰田

HK No.	Eng No.	Product No.	Article	Pcs.	Price
TY1018HK-2	K/2K/3K/4K	R026A	C/R	8	
TY1019HK-1	1E/2E	M025A	MAIN	10	
TY1019HK-2	1E/2E	R025A	C/R	8	
TY1020HK-1	3E/5E	M027A	MAIN	10	
TY1020HK-2	3E/5E	R027A	C/R	8	
TY1021HK-1	F/2F	M036A	MAIN	8	
TY1021HK-2	F/2F	R031A	C/R	12	
TY1022HK-1	1G-FE	M047A	MAIN	14	
TY1022HK-2	1G-FE	R047A	C/R	12	
TY1023HK-1	H/2H/12H-T	M034A	MAIN	14	
TY1023HK-2	H/2H/12H-T	R034A	C/R	12	
TY1024HK-1	1HZ	M707A	MAIN	14	
TY1024HK-2	1HZ	R707A	C/R	12	
TY1025HK-1	3KU/3K/4K/5K	M026A	MAIN	10	
TY1025HK-2	3KU/3K/4K/5K	R026A	C/R	8	
TY1026HK-1	3F	M044A	MAIN	8	
TY1026HK-2	3F	R044A	B	12	
TY1027HK-1	1FZ/FE	M708A	MAIN	14	
TY1027HK-2	1FZ/FE	R708A	C/R	12	
TY1028HK-1	1C 2C 3C	M717A	MAIN	10	
TY1028HK-2	1C 2C 3C	R717A	C/R	8	
TY1029HK-1	L	M037A	MAIN	10	
TY1029HK-2	L/2L	R037A	C/R	8	
TY1030HK-1	Y/2Y/3Y/4Y	M041A	MAIN	10	
TY1030HK-2	Y/2Y/3Y/4Y	R041A	C/R	8	
TY1031HK-1	L/2L	M042A	MAIN	10	
TY1031HK-2	L2L	R037A	C/R	8	
TY1032HK-1	2L-T/3L	M042A	MAIN	10	
TY1032HK-2	2L-T/3L	R039A	C/R	8	
TY1033HK-1	5R	M012H	MAIN	6	
TY1033HK-2	5R	R012H	C/R	8	
TY1034HK-1	5R	M023A	MAIN	6	
TY1034HK-2	5R	R023A	C/R	8	
TY1035HK-1	12R	M016A	MAIN	6	
TY1035HK-2	12R	R016A	C/R	8	
TY1036HK-1	20R/21R	M011H	MAIN	10	


[Http://www.masterpartssupply.com](http://www.masterpartssupply.com)

TOYOTA 丰田

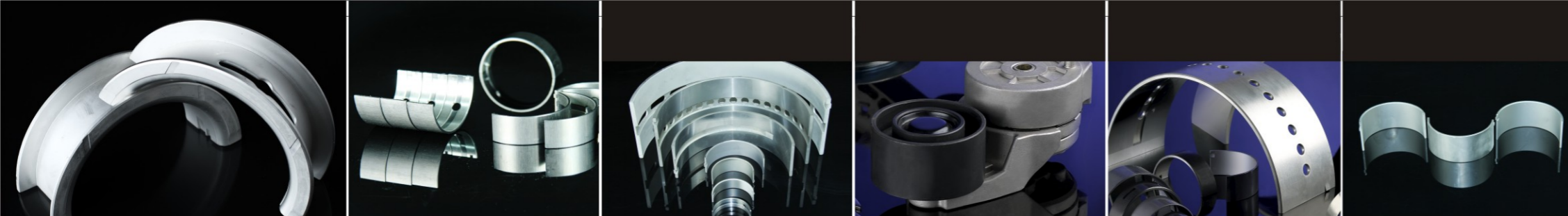
HK No.	Eng No.	Product No.	Article	Pcs.	Price
TY1036HK-2	20R/21R	R020H	C/R	8	
TY1037HK-1	22R	M020H	MAIN	10	
TY1037HK-2	22R	R020H	C/R	8	
TY1038HK-1	1RZ/2RZ	M703A	MAIN	10	
TY1038HK-2	1RZ/2RZ	R703A	C/R	8	
TY1039HK-1	1S/2S/3S-E	M024A	MAIN	10	
TY1039HK-2	1S/2S/3S-E	R024A	C/R	8	
TY1040HK-1	T/2T	M019H	MAIN	10	
TY1040HK-2	T/2T	R018H	C/R	8	
TY1041HK-1	1VZ-FE	M029H	MAIN	8	
TY1041HK-2	1VZ-FE	R029H	C/R	12	
TY1042HK-1	3VZ-E	M704A	MAIN	8	
TY1042HK-2	3VZ-E	R704A	C/R	12	
TY1043HK-1	1MZ-FE	M719A	MAIN	8	
TY1043HK-2	1MZ-FE	R719A	C/R	12	
TY1044HK-1	1ZZ-FE	/M715AM9105A	MAIN	10	
TY1044HK-2	1ZZ-FE	R715A/R9105A	C/R	8	
TY1045HK-2	3S/4S/5S-FE	R710A	C/R	8	
TY1046HK-2	7A-FE7K	R714A	C/R	8	
TY1047HK-1	J2.IJ.2	M702A/M9560A	MAIN	14	
TY1047HK-2	IJZ.2JZ	R702H/R9560A	C/R	12	
TY1048HK-1	1NZ/2NZ	M723A/M9100A	MAIN	10	
TY1048HK-2	1NZ/2NZ	R723A/R9100A	C/R	8	

KIA 起亚

HK No.	Eng No.	Product No.	Article	Pcs.	Price
KY101HK-1	B3,PRIDE	M3001A	MAIN	10	
KY101HK-2	B3,PRIDE	R3001A	C/R	8	
KY102HK-1	VN(RFA)HI-BESTA	M3002A	MAIN	10	
KY102HK-2	VN(RFA)HI-BESTA	R3002A	C/R	8	
KY103HK-1	J2/JT	M3003A	MAIN	10	
KY103HK-2	J2/JT	R3003A	C/R	8	
KY104HK-1	HW,BESTA DIESEL	M3004A	MAIN	10	
KY104HK-2	HW,BESTA DIESEL	R3004A	C/R	8	
KY104HK-1	TITAN		MAIN	10	
KY104HK-2	TITAN		C/R	8	

VOLVO 沃尔沃

HK No.	Eng No.	Product No.	Article	Pcs.	Price
VV1073HK-1	N12/F12(TD120-122)	VPM91436	MAIN	14	
VV1073HK-2	TD120/121	VPR91435	C/R	12	
VV1073HK-21	F12(TD121-122)	VPR91902	C/R	12	
VV1073HK-3	N12/F12 (TD120-122)	VPW95009	TW	4	
VV1074HK-1	N10/F10/FL10(TD100-103)	VPM91293	MAIN	14	
VV1074HK-2	F10/FL10(TD101-103)	VPR91901	C/R	12	
VV1074HK-3	N10/F10/FL10 (TD100-103)	VPW17	TW	4	
VV1075HK-1	N10/F10/FL10(TD100-103)	VPM91293	MAIN	14	
VV1075HK-2	N10(TD100A)	270099/VPR266	C/R	12	
VV1075HK-21	TD100B	270124	C/R	12	
VV1075HK-22	TD100	71-1227/6	C/R	12	
VV1076HK-1	F7/FL7/FM7(TD70/71/73)	H841/7 VPM91292	MAIN	14	
VV1076HK-11	N7/F7(TD70)	270432	MAIN	14	
VV1076HK-2	TD70	71-3480/6 VPR410	C/R	12	
VV1076HK-21	B7/FL7/FM7(TD71)	VPR91769	C/R	12	
VV1076HK-22	TD 70 A-H/FS/HA	270115	C/R	12	
VV1076HK-3	TD70/71	VPW18	TW	4	
VV1077HK-1	F6/FL6 (TD60/61)	271230/ VPM91862	MAIN	14	
VV1077HK-2	F6 (TD60)	270081/ VPR436	C/R	12	
VV1077HK-21	FL6 (TD61/63)	270139/ VPR92098	C/R	12	
VV1077HK-3	TD60/61	VPW19	TW	4	
VV1078HK-1	FL7/FM7	276894/VPM07024	MAIN	14	
VV1078HK-2	FM7(D7)	276909	C/R	12	
VV1079HK-1	FH12(D12A/C/D)	276615/ H1006/07	MAIN	14	
VV1079HK-2	FH12(D12A/C/D)	276134/ 71-3923/06	C/R	12	
VV1080HK-1	D42	VPM91732	MAIN	10	
VV1080HK-2	D42	VPR91731	C/R	8	
VV1081HK-1	FH16	H1083/7	MAIN	14	
VV1081HK-2	FH16	71-4219/5	C/R	12	
VV1082HK-1	TD120,N10/12,F12	270449	MAIN	2	
VV1082HK-2	TD120,N10/12,F12	270130	C/R	2	
VV1083HK-1		85103707	MAIN	2	
VV1083HK-2		85103713	C/R	2	


[Http://www.masterpartssupply.com](http://www.masterpartssupply.com)

VOLKSWAGEN 大众

HK No.	Eng No.	Product No.	Article	Pcs.	Price
VW1091HK-1		H941/6	MAIN	12	
VW1091HK-2		71-369/5	C/R	10	
VW1092HK-1		H025/5	MAIN	10	
VW1092HK-11		H027/5	MAIN	10	
VW1092HK-2		71-3694/4	C/R	8	
VW1092HK-21		71-3566/4	C/R	8	
VW1092HK-22		71-3084/4	C/R	8	
VW1092HK-23		71-3276/4	C/R	8	
VW1093HK-1		H941/7	MAIN	14	
VW1093HK-2		71-3442/6	C/R	12	
VW1094HK-1		H572/4	MAIN	8	
VW1094HK-11		H650/4	MAIN	4	
VW1094HK-B		H650/4	BUSH	2	
VW1094HK-B1		H650/4	BUSH	2	
VW1094HK-2		71-1950/4	MAIN	8	
VW1095HK-1	波罗劲情劲取1.4/1.6L	036 105 561D/591D	MAIN	10	
VW1095HK-2	波罗劲情劲取1.4	036 105 701AQ	C/R	8	
VW1095HK-21	波罗劲情劲取1.6L	036 105 701AR	C/R	8	
VW1096HK-1	波罗1.6L	050 105 561/591	MAIN	10	
VW1096HK-2	波罗1.6L	050 105 701 C/D	C/R	8	
VW1097HK-1	速腾1.8T	06H 105 561/591 M	MAIN	10	
VW1097HK-11	明锐1.8T	06H 105 561/591 J			
VW1097HK-2	速腾1.8T	06H 105 701/C	C/R	8	
VW1098HK-2	大众1.4STI	036 105 701BC/AR	C/R	8	

YANMAR 洋马

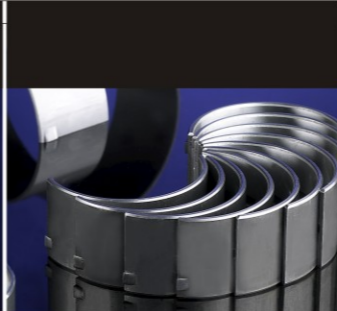
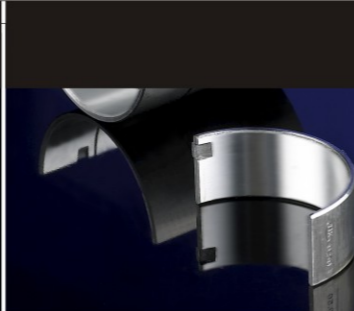
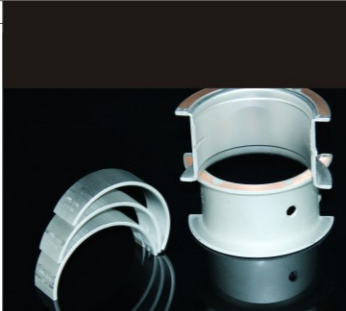
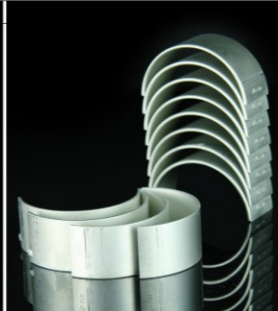
HK No.	Eng No.	Product No.	Article	Pcs.	Price
YM1111HK-2	CMC185		C/R	2	
YM1112HK-2	CMC195		C/R	2	
YM1113HK-2	D4.F4		C/R	2	
YM1114HK-2	D5.F5		C/R	2	
YM1115HK-2	D6.F6		C/R	2	
YM1116HK-2	D7.F7		C/R	2	
YM1117HK-2	D8.F8		C/R	2	
YM1118HK-2	D9.F9		C/R	2	

YANMAR 洋马

HK No.	Eng No.	Product No.	Article	Pcs.	Price
YM1119HK-2	D10.F10		C/R	2	
YM1120HK-2	M11		C/R	2	
YM1121HK-1	SA80		MAIN	2	
YM1122HK-1	TH3/TS-50		MAIN	1	
YM1122HK-11	TH3/TS-50		MAIN	1	
YM1122HK-2	TH3/TS-50		C/R	2	
YM1123HK-1	TH4/TS-60		MAIN	1	
YM1123HK-11	TH4/TS-60		MAIN	1	
YM1123HK-2	TH4/TS-60		C/R	2	
YM1124HK-2	TH5		C/R	2	
YM1125HK-2	TH7		C/R	2	
YM1126HK-1	TH8/TS-130		MAIN	1	
YM1126HK-11	TH8/TS-130		MAIN	1	
YM1126HK-2	TH8/TS-130		C/R	2	
YM1127HK-1	TH10/TH9		MAIN	1	
YM1127HK-11	TH10/TH9		MAIN	1	
YM1127HK-2	TH10/TH9		C/R	2	
YM1128HK-2	TF75		C/R	2	
YM1129HK-2	TF105/TF115		C/R	2	
YM1130HK-2	TF160		C/R	2	
YM1131HK-1	NT95/NT95K		MAIN	1	
YM1131HK-2	NT95/NT95K		C/R	5	

TENSIONER 涨紧轮

HK No.	Eng No.	Product No.	Article	Pcs.	Price
CM953HK-TSBO			CUMMINS 3914086	1	
CM954HK-TSBO			CUMMINS 3914096	1	
CM955HK-TSBO			CUMMINS 7362/ 3967190	1	
CM956HK-TSBO			CUMMINS 5077/ 3967188	1	
VV972HK-TSBO			VOLVO 3154315	1	
VV998HK-TSBO	Td120		VOLVO 3183644	1	
VV1011HK-TSBO			VOLVO 20762060/8149855	1	
VV1012HK-TSBO	FH12		VOLVO 20491753	1	
ST2001HK-TSBO	Fh16		STEYR	1	



Http://www.masterpartssupply.com

Master Parts

HUAKANG

CAM BUSH 衬套

HK No.	Vehicle Type	Product No.	Article	Pcs.	Price
BZ133HK-4	MERCEDES-BENZ	N110/4	Om401		
BZ134HK-4	MERCEDES-BENZ	N110/5	OM402		
BZ135HK-4	MERCEDES-BENZ	N110/6	OM403		
BZ117HK-4	MERCEDES-BENZ	N109/7	OM447		
BZ123HK-4	MERCEDES-BENZ	N082/7	OM355		
BZ122HK-4	MERCEDES-BENZ	N075/7	OM360		
BZ932HK-4	MERCEDES-BENZ	N049/4	OM352		
TY630HK-4	TOYOTA	C003L	2R 4R 12R		
TY512HK-4	TOYOTA	C002L	3R 4K		
TY643HK-4	TOYOTA	C012L	5R		
TY612HK-4	TOYOTA	C041L	1Y 2Y 3Y		
TY619HK-4	TOYOTA	C018K	T 2T 13T		
TY667HK-4	TOYOTA	C042L	2L 2L-T		
NI612HK-4	NISSAN	SH1003B	H20		
NI542HK-4	NISSAN	SH1006B	J13 J15		
NI512HK-4	NISSAN	SH1019B	A10 A12		

THRUST WASHER 止推片

HK No.	Vehicle Type	Product No.	Article	Pcs.	Price
TY100HK-3	TOYOTA	T038A	1C/1CT	4	
TY102HK-3	TOYOTA	T037A	2L/2LT	4	
TY103HK-3	TOYOTA	T002A	3K/4K	4	
TY104HK-3	TOYOTA	T025A	1E/2E	4	
TY105HK-3	TOYOTA	T022A	1A/2A/3A/4A	4	
TY106HK-3	TOYOTA	T040A	B/2B/3B	4	
TY107HK-3	TOYOTA	T030A	D/2D	4	
TY108HK-3	TOYOTA	T027A	3E/5E	4	
TY109HK-3	TOYOTA	T044A	3F	4	
TY110HK-3	TOYOTA	T034A	H/2H	4	
TY111HK-3	TOYOTA	T020A	16R/18R	4	
TY112HK-3	TOYOTA	T018A	T/2T	4	
TY113HK-3	TOYOTA	T703A	1RZ	4	
TY114HK-3	TOYOTA	T003A	12R	4	
TY115HK-3	TOYOTA	T018A	3Y/4Y	4	
TY116HK-3	TOYOTA	T020A	22R	4	

THRUST WASHER 止推片

HK No.	Vehicle Type	Product No.	Article	Pcs.	Price
TY116HK-3	TOYOTA	T020A	22R	4	
TY117HK-3	TOYOTA	T011A	20R/21R	4	
TY118HK-3	TOYOTA	T715A	1ZZ-FE	2	
TY119HK-3	TOYOTA	T029A	1VZ-FE	4	
NI201HK-3	NISSAN	T094A	GA13-GA16	2	
NI202HK-3	NISSAN	T051H	J13-J16	4	
NI203HK-3	NISSAN	T098H	SR18/20	2	
NI204HK-3	NISSAN	T099A	VQ20/25/30	4	
NI205HK-3	NISSAN	T062H	ED33/ED6/FD6	4	
NI206HK-3	NISSAN	T092H	FE6/FD42/46	4	
NI207HK-3	NISSAN	T067H	ND6/NE6	4	
NI208HK-3	NISSAN	T076H	PE6/PD6	4	
NI209HK-3	NISSAN	T080H1	QD32/SD20/22/TD42	4	
NI210HK-3	NISSAN	T063H	RD8RE8//RD10/RE10	4	
MI301HK-3	MITSUBISHI	T139A	4G63/64	2	
MI302HK-3	MITSUBISHI	T135A	4G91/92/93	2	
MI303HK-3	MITSUBISHI	T123A	6G71/72	4	
MI304HK-3	MITSUBISHI	T140A	4D55/56	2	
MI305HK-3	MITSUBISHI	T108H	4D30	3	
MI306HK-3	MITSUBISHI	T121H	4D30/31/32/33	3	
MI307HK-3	MITSUBISHI	T112H	6D10-15	3	
MI308HK-3	MITSUBISHI	T133A	4M40/41	4	
MI309HK-3	MITSUBISHI	T129H	6D14/6D16	3	
MI310HK-3	MITSUBISHI	T114H	6D20/22/24	3	
MI311HK-3	MITSUBISHI	T107H	6DC2/8DC2	3	
MI312HK-3	MITSUBISHI	T124H	6DC2/8DC2	3	
IZ401HK-3	ISUZU	T168H	4BA1/6BB1/4BC1	4	
IZ402HK-3	ISUZU	T173H	4BC2/D1/6BD1/F1	4	
IZ403HK-3	ISUZU	T801A	4HF1/K1/6HK1	3	
IZ404HK-3	ISUZU	T184A	4JA1	2	
IZ405HK-3	ISUZU	T185A	4JB1/G2	2	
IZ406HK-3	ISUZU	T157H	C190/220	3	
MD501HK-3	MAZDA	T325A	FS/FP	2	
MD502HK-3	MAZDA	T316A	R/2R/FRF-T	4	
MD503HK-3	MAZDA	T314A	SL/HA	4	
MD504HK-3	MAZDA	T317A	B6 B6-T	2	
MD505HK-3	MAZDA	T313A	E1/E3/E5	4	
MD506HK-3	MAZDA	T304A	MA	4	
VV601HK-3	VOLVO	VPW19	TD61	4	
VV602HK-3	VOLVO	VPW18	TD70	2	
VV603HK-3	VOLVO	VPW17	N10,F10,TD100A/B	4	
VV604HK-3	VOLVO	VPW95009	N12,F12,TD120	4	
VV605HK-3	VOLVO		TD42	4	